



PSoC CY8C20x34 TRM

**PSoC[®] CY8C29x66,
CY8C27x43, CY8C27x43E,
CY8C21x34**

LIN Bus 2.0

PSoC Reference Design. Revision **

Cypress Semiconductor
198 Champion Court
San Jose, CA 95134-1709
Phone (USA): 800.858.1810
Phone (Intl.): 408.943.2600
<http://www.cypress.com>

Copyrights

Copyright © 2006 Cypress Semiconductor Corporation. All rights reserved.

Cypress, the Cypress logo, and PSoC® are registered trademarks and PSoC Designer™, Programmable System-on-Chip™, and PSoC Express™ are trademarks of Cypress Semiconductor Corporation (Cypress). All other trademarks or registered trademarks referenced herein are the property of their respective owners.

The information in this document is subject to change without notice and should not be construed as a commitment by Cypress. While reasonable precautions have been taken, Cypress assumes no responsibility for any errors that may appear in this document. No part of this document may be copied or reproduced in any form or by any means without the prior written consent of Cypress. Made in the U.S.A.

Disclaimer

CYPRESS MAKES NO WARRANTY OF ANY KIND, EXPRESS OR IMPLIED, WITH REGARD TO THIS MATERIAL, INCLUDING, BUT NOT LIMITED TO, THE IMPLIED WARRANTIES OF MERCHANTABILITY AND FITNESS FOR A PARTICULAR PURPOSE. Cypress reserves the right to make changes without further notice to the materials described herein. Cypress does not assume any liability arising out of the application or use of any product or circuit described herein. Cypress does not authorize its products for use as critical components in life-support systems where a malfunction or failure may reasonably be expected to result in significant injury to the user. The inclusion of Cypress' product in a life-support systems application implies that the manufacturer assumes all risk of such use and in doing so indemnifies Cypress against all charges.

Flash Code Protection

Note the following details of the Flash code protection features on Cypress devices.

Cypress products meet the specifications contained in their particular Cypress Data Sheets. Cypress believes that its family of products is one of the most secure families of its kind on the market today, regardless of how they are used. There may be methods, unknown to Cypress, that can breach the code protection features. Any of these methods, to our knowledge, would be dishonest and possibly illegal. Neither Cypress nor any other semiconductor manufacturer can guarantee the security of their code. Code protection does not mean that we are guaranteeing the product as "unbreakable."

Cypress is willing to work with the customer who is concerned about the integrity of their code. Code protection is constantly evolving. We at Cypress are committed to continuously improving the code protection features of our products.

Contents



1.1 LIN Bus 2.0 Demonstration Kit Description	5
1.1.1 Introduction	5
1.2 Kit Contents	5
1.3 Getting Started	5
1.4 LIN Bus Demonstration	6
1.5 Master Node Port Pin Usage	9
1.6 Slave 1 Port Pin Usage	9
1.7 Slave 2 Port Pin Usage	10
1.8 Design IP	10
1.9 Demonstration Projects	10
1.10 Other Features	10
1.11 Support	10
2.1 System Architecture Overview	11
2.2 Features of the PSoC LIN Bus 2.0 Design	11
2.3 LIN Frame	11
2.3.1 Basic LIN Frame	11
2.3.2 Break Field	12
2.3.3 Synch Byte	12
2.3.4 Protected Identifier	12
2.3.5 Data	12
2.3.6 Checksum	12
2.3.7 Frame Transfers on the LIN Bus	12
2.4 Hardware Architecture	13
2.4.1 LIN Transceiver	13
2.4.2 Voltage Regulator	13
2.4.3 External Pin Connections	13
3.1 Master Software Architecture	15
3.1.1 Overview	15
3.1.2 Foreground Processing	15
3.1.3 Timing and Interrupts	16
3.2 Device Configurations	16
3.2.1 Synchro Break Configuration	16
3.2.2 Data Transmission Configuration	16
3.2.3 Data Reception Configuration	16
3.3 Firmware	17
3.3.1 Overview	17
3.3.2 Synchro Break Interrupt	17
3.3.3 TX Interrupt	17
3.3.4 RX Interrupt	17
3.3.5 Bit Time Interrupt	17
3.3.5.1 Synchro Break Configuration	17
3.3.5.2 Data Transmission Configuration	17
3.3.5.3 Data Reception Configuration	18

3.4	Source Code Files	18
3.5	Header Files	18
3.6	Creating a Project Using the Design IP	18
3.6.1	Importing the Design	18
3.6.2	Configuring Global Resources.....	19
3.6.3	Configuring GPIO	19
3.6.4	Routing the Signals	19
3.6.5	Setting the Baud Rate	20
3.6.6	Adding the Schedule Timer	20
3.6.7	Setting the Source Clock and Period	20
3.6.8	Configuring the Signal Table.....	20
3.6.9	RAM Allocation	20
3.6.10	Frame Definition	20
3.6.11	Schedule Table	22
3.6.11.1	Structure of Schedule Table	22
3.6.11.2	An Example Schedule Table	22
3.6.11.3	Diagnostic Schedules	23
3.6.12	Adding the Main Application	23
3.6.13	Special Features.....	23
3.6.13.1	Low Power Management.....	23
3.6.13.2	Node Configuration.....	24
3.6.13.3	Implementation of Sporadic Frames.....	24
3.7	Master Design APIs	25
3.7.1	Basic Functions	25
3.7.2	Miscellaneous Core API Functions.....	26
3.7.3	LIN Node Configuration API Functions.....	27
3.8	Time Study.....	28
3.8.1	ISR Timing	28
3.8.2	Calculation of CPU Overhead Over a Frame	29
3.8.3	Maximum Interrupt Latency	29
4.1	Slave Software Architecture	31
4.1.1	Overview.....	31
4.1.2	Foreground Processing	31
4.1.3	Timing and Interrupts.....	31
4.2	Device Configuration	32
4.2.1	Synchro Reception Configuration.....	32
4.2.2	Data Reception Configuration.....	32
4.3	Firmware.....	32
4.3.1	Overview.....	32
4.3.2	GPIO Interrupt	32
4.3.3	Synchro Timer Interrupt	33
4.3.4	Synchro Timeout Interrupt	33
4.3.5	RX Interrupt	33
4.3.6	TX Interrupt.....	34
4.3.7	Bit Timer Interrupt.....	34
4.4	LIN Source Code Files.....	34
4.5	Header Files	34
4.6	Using the Design IP	35
4.6.1	Importing the Design	35
4.6.2	Configuring Global Resources.....	35
4.6.3	Configuring GPIO	35
4.6.4	Routing the Signals	36
4.6.5	Configuring the Signal Table.....	36

4.6.5.1	RAM Allocation	36
4.6.6	Frame Definition.....	37
4.6.7	Response_Error Bit Definition.....	37
4.6.8	Node Information	37
4.6.9	Adding the Main Application	37
4.6.10	Special Features	38
4.6.10.1	Power Management.....	38
4.6.10.2	Node Configuration.....	38
4.6.10.3	Implementing Event-Triggered Frames	38
4.7	LIN 2.0 Slave Design API	39
4.8	Time Study.....	40
4.8.1	ISR and Function Timing	40
4.8.2	Calculation of CPU Overhead Over a Frame.....	41
4.8.3	Maximum Interrupt Latency	41
5.1	Demonstration Projects Introduction	43
5.2	LIN Description File (LDF).....	43
5.2.1	Description	43
5.2.2	Example LDF	44
5.3	Example Project for Master (CEM)	47
5.3.1	Description	47
5.3.2	Example Master Program	47
5.4	Example Project for Slave 1 (CPM)	52
5.4.1	Description	52
5.4.2	Example Slave 1 Program	52
5.5	Example Project for Slave 2 (DIA)	54
5.5.1	Description	54
5.5.2	Example Slave 2 Program	54
6.1	Board Schematics	57
6.1.1	Power Supply.....	57
6.1.2	Master	58
6.1.3	Slave 1	59
6.1.4	Slave 2	60
7.1	Board Bill of Materials	61

1. LIN Bus 2.0 Kit



1.1 LIN Bus 2.0 Demonstration Kit Description

1.1.1 Introduction

The LIN Bus Demonstration Kit demonstrates the ability of the PSoC® Programmable System-on-Chip™ to implement LIN bus, Local Interconnect Network, standard protocol. The LIN bus was developed to fill the need for a low cost automotive network to complement existing networks. LIN bus also finds many uses in non-automotive distributed systems where a robust, low-speed and low-cost protocol is required. Additional information is located on the LIN consortium web site at <http://www.lin-subbus.org> where you can also find the complete LIN specifications for version 2.0.

This design provides a flexible development environment for creation of either slave or master LIN device applications using the PSoC. The demonstration board has one master and two slave nodes. Using dynamic reconfiguration, hardware resources are minimized with low CPU overhead.

Design details on specific implementation provided with the demonstration board are included in the supplied Lin Master Node Design IP, Lin Slave Design IP, Application Note [AN2045](#), and in the corresponding project comments inside PSoC Designer™.

1.2 Kit Contents

- LIN Bus Demonstration Board
- International Power Supply (110-220 VAC to 12V DC)
- Serial Cable (DB-9)
- Software CD with Documentation, Example Project, and Design IP

1.3 Getting Started

The LIN bus demonstration board is preprogrammed to demonstrate the LIN bus directly out of the box. To demonstrate functionality, follow these steps:

1. Verify contents in design kit.
2. Plug the power supply into a wall outlet (international plug adaptors are included). The power supply automatically adapts to this voltage and frequency range: 100-240 VAC at 50-60 Hz.
3. Connect the barrel plug of the power supply cord into the demonstration board. The green power LED next to the power jack lights.

The demonstration board is now fully operational and demonstrates LIN bus operations. Functional details of the examples running on the board can be found in section 1.4, [LIN Bus Demonstration, on page 6](#).

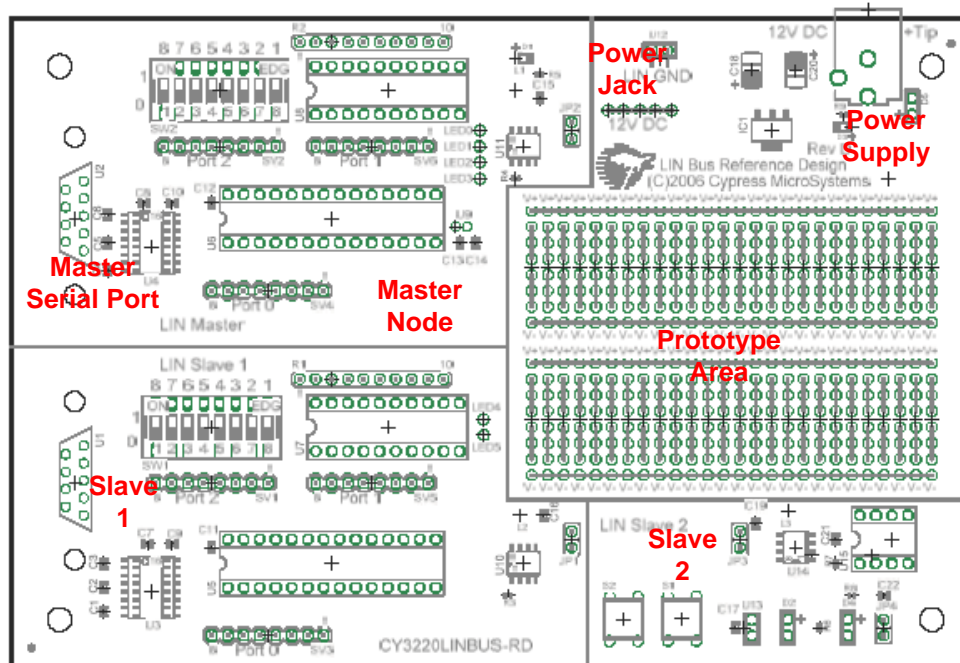


Figure 1-1. LIN Bus Demonstration Board

The master node and slave 1 are both implemented in a 28-pin part, CY8C27443-24PXI. Slave 2 is implemented in an 8-pin part, CY8C27143-24PXI.

The CD-ROM that is included with this kit has all project files for the designed-in devices as well as project files for automotive grade devices.

1.4 LIN Bus Demonstration

The LIN bus demonstration board is divided into four regions: master node, slave 1, slave 2, and the prototype area.

The master node has a bank of 8 dip-switches, SW2, and a bank of 10 LEDs, U8. Slave 1 also has a set of 8 dip-switches, SW1, and a bank of 10 LEDs, U7. Slave 2 has 2 push-button switches, S1 and S2, and 2 individual green LEDs, D2 and D4. Figure 1-1 shows the positions of these components.

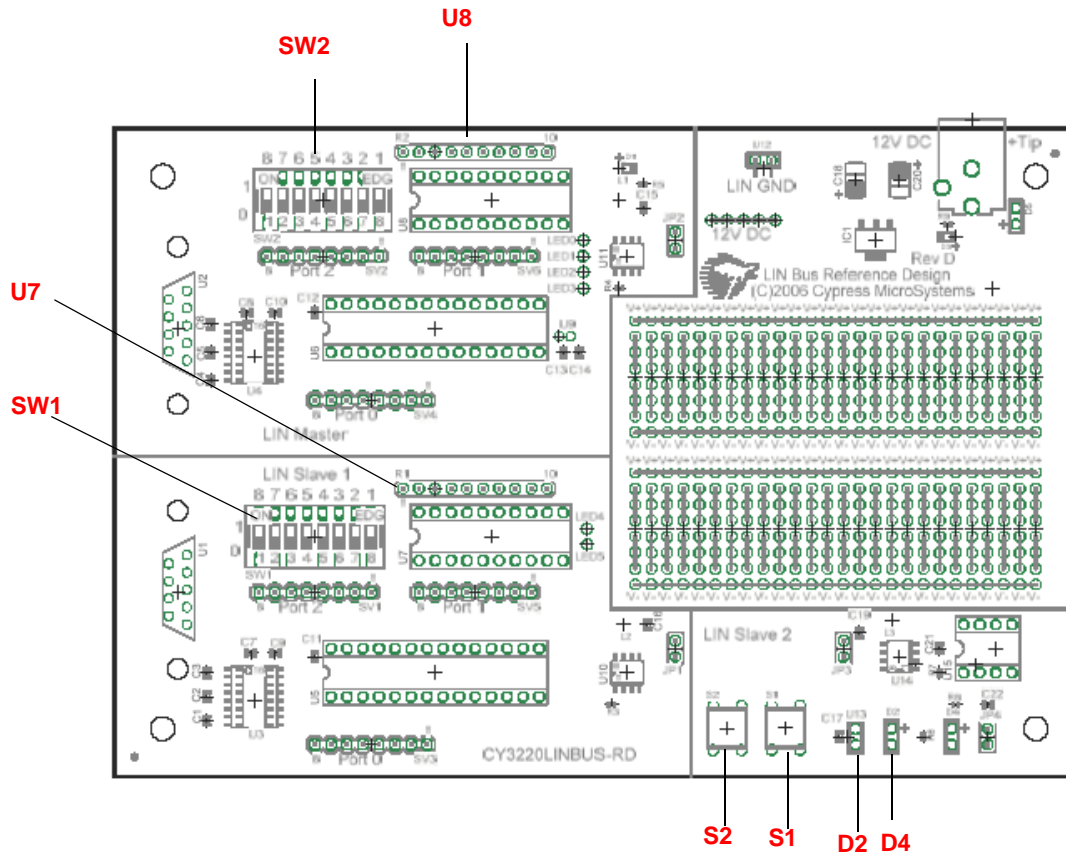


Figure 1-2. Layout of Node-Specific Switches and LEDs

Periodically, the master node sends its switch state information to slave 1 and then polls both slaves for their switch state information. In response, the master and slaves display the state of the information as specified by the switch-to-display relationship. Figure 1-3 and the following list show the switches and the LEDs that they control:

- Master node dip-switches 8 to 1 control slave 1’s LEDs 1 to 8. Note that the dip-switch numbering is reversed but is oriented such that the left most switch, numbered 8, controls the left most LED of slave 1.
- Slave 1’s dip-switches 8 to 5 control master node LEDs 1 to 4.
- Slave 1 measures the resistance connected between P0[1] and P0[3] and sends this information to the master. To make the resistance measurement, a reference resistance of 2.2K is connected between P0[1] and P0[2]. These resistance connections can be made to the header (SV3) meant for port 0 of slave 1.
- Slave 1’s dip-switches 2 and 1 control slave 2 LEDs, D2 and D4. These switches are configured to implement a left / right turn indicator. When one of these switches is closed, D2 or D4 blinks.
- Slave 2’s push-button switches, S2 and S1, control master node LEDs 5 and 6.

- The remaining switches and LEDs are not used, but board connections are provided for use in the prototype area.

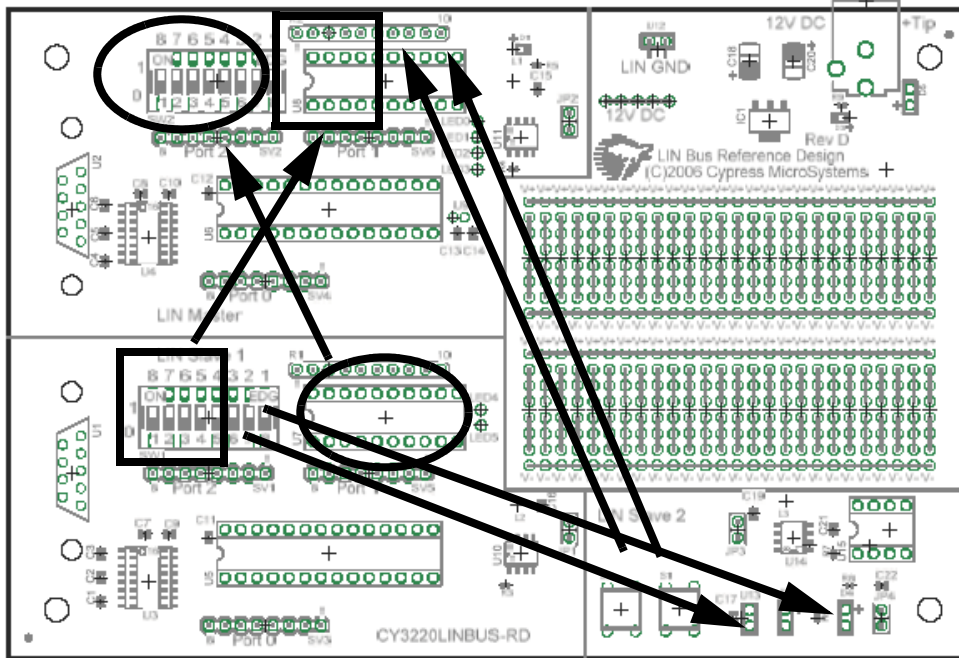


Figure 1-3. Switch-to-LED Control Relationship

The master node performs the following operations.

- Initializes the LIN communication.
- Calls the node configuration function to configure slave 1 and slave 2 nodes.
- Initializes the Schedule table. The frame sequence and time allotted for each frame is configured in the Schedule table.

Then the master node performs the following operations in an infinite loop:

- Checks if the current frame transfer is complete and if the LIN hardware is ready to send the next frame. If yes, calls the `I_sch_tick` function that loads the next frame due and initiates the transfer.
- Checks if Frame1 completion flag is set. Frame1 carries the master's dip-switch information. If Frame1 flag is set, the master updates the Frame1 buffer with the dip-switch information and sends the dip-switch information over serial port.
- Checks if Frame2 completion flag is set. Frame2 carries the resistance information from slave 1. If Frame2 flag is set, converts the 2-byte HEX integer to an ASCII string and sends this string over the serial port.
- Checks if Frame3 completion flag is set. Frame3 carries the switch status of slave 2. If Frame3 flag is set, updates LED 5 and LED 6 according to the switch status and sends the Slave-2 switch status over serial port.

- Checks if Frame4 completion flag is set. Frame4 carries the dip-switch status of slave 1. If Frame4 flag is set, updates LED 1 to LED 4 as per status of SW8 to SW5 of slave 1. Then updates the Frame5 buffer with the status of SW1 and SW2 of slave 1. When Frame5 is due, this information is sent to slave 2 and slave 2 blinks D4 or D5, accordingly. Then it sends the Slave-1 switch status over serial port.
- The master's data over serial port may be observed by using a HyperTerminal and connecting the master's serial port to the PC. The serial port setting is 38.4 kbps, 8 data bits, no parity, 1 stop bit. The following is an example output on the serial port:

```
Master Switch Status: ON ON ON ON ON ON ON ON
Slave 2 Switch Status: ON OFF
Slave 1 Resistance: 25000
Slave 1 Switch Status: ON ON ON ON ON ON ON ON
```

1.5 Master Node Port Pin Usage

The pin usage for the LIN bus PSoC master node is as follows:

Table 1-1. Port 0 – Pins Connect to User-Accessible Header Row

0	Not used
1	Not used
2	Not used
3	Not used
4	Not used
5	LIN bus RX
4	LIN bus TX
6	UART RX
7	UART TX

Table 1-2. Port 1 – Pins Connect to User-Accessible Header Row and LEDs

0	Crystal out
1	Crystal in
2	LED controlled by slave 2, Port0_7 switch
3	LED controlled by slave 2, Port0_2 switch
4	LED controlled by slave 1, Port2_4 switch
5	LED controlled by slave 1, Port2_5 switch
6	LED controlled by slave 1, Port2_6 switch
7	LED controlled by slave 1, Port2_7 switch

Table 1-3. Port 2 – Pins Connect to User-Accessible Header Row and Dip-Switches

0	Switch controls slave 1, Port1_0 LED
1	Switch controls slave 1, Port1_1 LED
2	Switch controls slave 1, Port1_2 LED
3	Switch controls slave 1, Port1_3 LED
4	Switch controls slave 1, Port1_4 LED
5	Switch controls slave 1, Port1_5 LED
6	Switch controls slave 1, Port1_6 LED
7	Switch controls slave 1, Port1_7 LED

1.6 Slave 1 Port Pin Usage

The section details the pin usage for the LIN bus PSoC slave 1:

Table 1-4. Port 0 – Pins Connect to User-Accessible Header Row

0	Not used
1	Common point of measured resistance and reference resistance
2	Reference resistance
3	Measured resistance
4	LIN bus TX
5	LIN bus RX
6	Not used
7	Not used

Table 1-5. Port 1 – Pins Connect to User-Accessible Header Row and LEDs

0	LED controlled by master, Port2_0 switch
1	LED controlled by master, Port2_1 switch
2	LED controlled by master, Port2_2 switch
3	LED controlled by master, Port2_3 switch
4	LED controlled by master, Port2_4 switch
5	LED controlled by master, Port2_5 switch
6	LED controlled by master, Port2_6 switch
7	LED controlled by master, Port2_7 switch

Table 1-6. Port 2 - Pins Connect to User-Accessible Header Row and Dip-Switches

0	Switch not used
1	Switch not used
2	Switch controls slave 2, Port1_1 LED blinking control
3	Switch controls slave 2, Port1_0 LED blinking control
4	Switch controls master, Port1_4 LED
5	Switch controls master, Port1_5 LED
6	Switch controls master, Port1_6 LED
7	Switch controls master, Port1_7 LED

1.7 Slave 2 Port Pin Usage

The section details the pin usage for the LIN bus PSoC slave 2:

Table 1-7. Port 0 – Pins

2	Push button controls master, Port1_3 LED
4	LIN bus TX
5	LIN bus RX
7	Push button controls master, Port1_2 LED

Table 1-8. Port 1 – Pins

0	Blinking LED controlled by slave 1, Port2_3 switch
1	Blinking LED controlled by slave 1, Port2_2 switch

1.8 Design IP

LIN Master Node and LIN Slave Node Design IP are provided on the CD and on the Cypress Semiconductor web site at <http://www.cypress.com>.

Design IP in PSoC Designer allows a user to import the required solution, precomposed of configurations and software APIs, to quickly and easily implement a LIN bus node. To import the Design IP into a project, use the *PSoC Designer Design Browser* (under *C_onfig >> I_mport Design*).

The LIN Master Node Design IP and the LIN Slave Node Design IP documentation are located in the root directory of the CD.

1.9 Demonstration Projects

Also included on the CD are the three PSoC projects that implement the master and slave nodes on the demonstration board delivered with this design kit. The demonstration projects are in the following directories of the CD:

- Demonstration Projects\Master Node\MasterLinDemo
- Demonstration Projects\Slave 1 Node\CLinSlaveDemo
- Demonstration Projects\Slave 2 Node\CLinSlaveDemo2

1.10 Other Features

In addition to the three LIN nodes, the demonstration board provides several other features:

- Unregulated 12V DC 500 mA power supply for prototype use.
- Regulated 5V DC 500 mA power supply for prototype use.
- U12 header provides access to LIN bus for probing or bus extension.
- Disconnectable LIN nodes from the LIN bus by removing the JP1, JP2, or JP3 jumpers.
- Prototype area provides power and ground connections, and two strips of holes for prototyping. The holes are connected in rows of three to simplify connections, and if required, the traces can be cut.

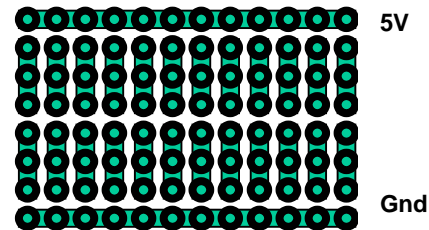


Figure 1-4. Prototype Area Through Hole Connections

- Install header U13 to short LED D2. This allows development of self-diagnostic indicator faults.
- Remove jumper JP4 to provide an open circuit at LED D4. This provides an additional way to develop self-diagnostic indicator faults.
- You can emulate master node and slave 1 using a universal emulation pod, from a PSoC Basic Development Kit, mounted on the standard 28-pin DIP foot.
- You can emulate slave 2 using a universal emulation pod mounted on the standard 8-pin DIP foot.
- The four unused LEDs in the master node LED array are provided on pads LED 0-3 for prototyping.
- The two unused LEDs in the slave 1 LED array are provided on pads LED 4-5 for prototyping.

1.11 Support

Support for the PSoC device, the development tools or the LIN bus demonstration board can be found on our web site at <http://www.cypress.com>, <http://www.cypress.com/support> or by calling the Applications Hotline at 425.787.4814.

2. System Architecture



2.1 Overview

The LIN bus, Local Interconnect Network, is an asynchronous, 1 wire, single master, multiple slave network. It is most commonly used in automobile networks.

2.2 Features of the PSoC LIN Bus 2.0 Design

- Single master, multiple slaves - up to 16 slaves.
- Message-based protocol.
- Single wire - maximum 40 m.
- Data rates of 2.4K, 4.8K, 9.6K and 19.2K are supported by master.
- Slaves capable of synchronizing to any baud rate from 2K to 20K.
- Self synchronization of slaves to master's speed.
- Data format similar to common serial UART format.
- Safe behavior with data checksums and bit-error detection.
- 100% LIN Bus 2.0 protocol-compliant.
- Master design uses minimal resources (only three digital blocks) and is easy to implement (using overlapping configurations).
- Slave designs use minimal resources (only four digital blocks) and are easy to implement (using overlapping configurations). The slave design for the CY8C21x34 device family uses the least amount of system resources.
- The PSoC design IP is provided for master and slave nodes in the following device families:
 - CY8C29x66 Industrial
 - CY8C27x43 Automotive
 - CY8C27x43 Industrial
 - CY8C21x34 Industrial

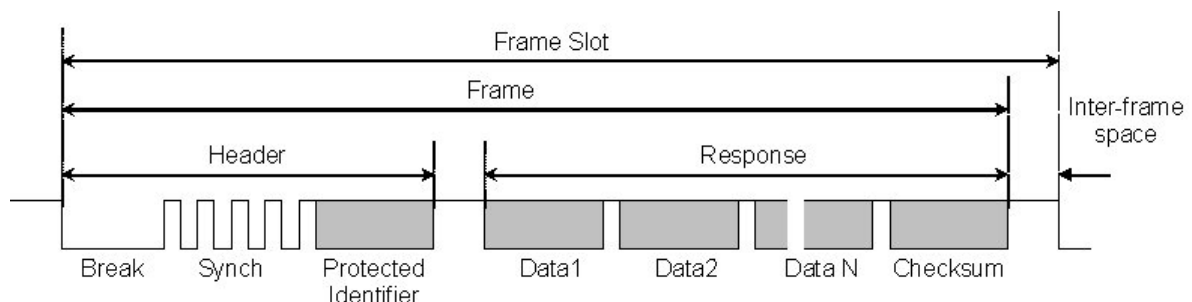


Figure 2-1. Structure of a LIN Frame

2.3 LIN Frame

It is made of a break field followed by 4 to 11 byte fields. Each byte field is transmitted as a serial byte as shown in Figure 2-2.

2.3.1 Basic LIN Frame

The LIN communication takes place in frames. Figure 2-1 shows the structure of a frame.

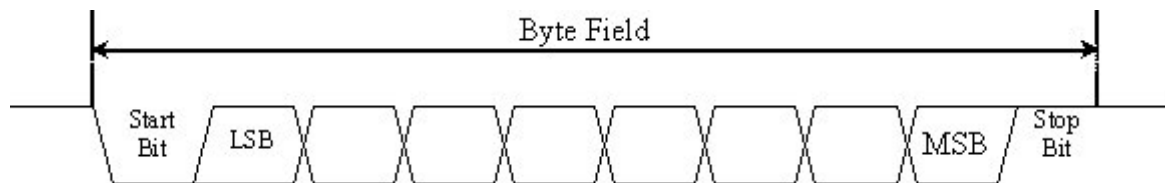


Figure 2-2. Structure of a Byte Field

2.3.2 Break Field

The break symbol is used to signal the beginning of a new frame. It is the only field that does not comply with Figure 2-2. A break is always generated by the master and is at least 13 bits of dominant value, including the start bit, followed by a break delimiter, as shown in Figure 2-3. The break delimiter is at least one nominal bit-time long. A slave node uses a break detection threshold of 11 nominal bit times.

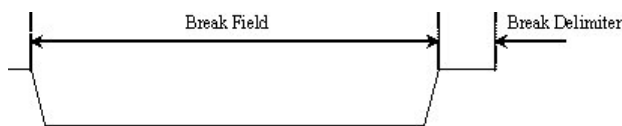


Figure 2-3. The Break Field

2.3.3 Synch Byte

The synch byte is sent to the slave to synchronize to the master's baud rate. The synch byte is nothing but a data field with 0x55 as data. The synch byte is shown in Figure 3-4.



Figure 2-4. The Synch Byte

The slave measures the time between the start bit and the fourth falling edge of the synch byte. Then dividing this by eight, gives the single bit time. Based upon this time, the slave sets the clock to its UART so that it can send/receive the data bytes of the frame at the master's bit rate.

2.3.4 Protected Identifier

The byte that follows the synch byte is the protected identifier. This byte has two parts. Bits 0-5 form the actual identifier (0 to 63). Bits 6 and 7 form the identifier parity. The identifiers can be split into four different categories:

- Identifiers 0 - 59 are used for signal-carrying frames.

- Identifiers 60 (0x3C) and 61 (0x3D) are used for diagnostic frames.
- Identifier 62 (0x3E) is used for user-defined extensions.
- Identifier 63 (0x3F) is used for future protocol enhancements.

More details on protected identifiers are in the LIN Bus 2.0 specifications at <http://www.linsubbus.org>.

2.3.5 Data

The protected Identifier is followed by 1 to 8 bytes of data. The number of data bytes carried by a frame is defined in the LIN definition file (LDF). This file also defines whether the data bytes are sent from the master to a slave or from a slave to the master. Data that are longer than 1 byte are transmitted LSB first (Little Endian mode).

2.3.6 Checksum

The last field of a frame is the checksum. The checksum contains the inverted 8-bit sum with carry over all data bytes or all data bytes and the protected identifier. Checksum calculation over only the data bytes is called classic checksum and is used for communication with LIN bus 1.x slaves. Checksum calculation over both the data bytes and the protected identifier byte is called enhanced checksum and it is used for communication with LIN bus 2.0 slaves. The checksum is transmitted in a byte field. Use of classic or enhanced checksum is managed by the master node and determined per frame identifier; classic in communication with LIN bus 1.x slave nodes and enhanced in communication with LIN bus 2.0 slave nodes. Identifiers 60 (0x3c) to 63 (0x3f) always use classic checksum.

The complete LIN standard is available at <http://www.linsubbus.org>.

2.3.7 Frame Transfers on the LIN Bus

Only the master initiates a frame. The master allocates a time slot for each frame. The master also sends the frames in a predetermined sequence. The information sequence of the frames and the time slot for each frame is available in a table called Schedule table. Each entry of this table describes the protected identifier of the frame to be initiated and also the time to be allotted for that frame. When all the

frames in the Schedule table have been transmitted, the next cycle starts again from the first frame of the table.

The LIN 2.0 API has many functions to manage the Schedule table. It has functions to select tables, to initiate the transfer of the next frame in the current table, and so on. More details on these APIs are found in section 3, [Master Design APIs, on page 25](#).

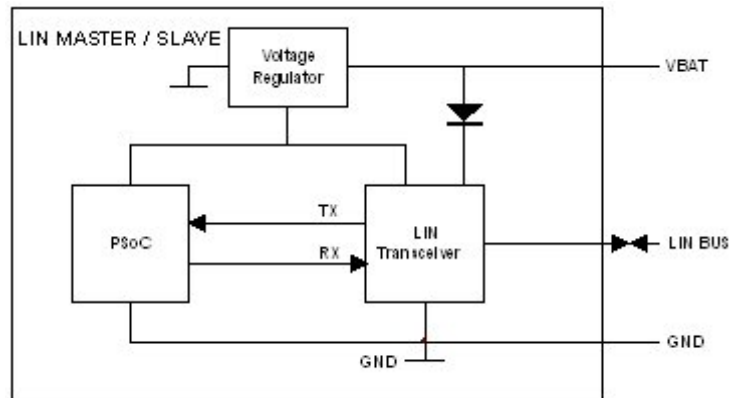


Figure 2-5. Hardware Configuration of a LIN Master/Slave

2.4 Hardware Architecture

Figure 2-5 shows the hardware architecture for the LIN Master/Slave.

2.4.1 LIN Transceiver

Because the physical LIN bus is held at Vbat in the range of 8 to 18 volts, a LIN transceiver device is required to connect the LIN bus with the PSoC chip. The LIN transceiver converts the single wire LIN bus at 8V – 18 volts to TTL-level TX and RX signals, which can be connected to the PSoC.

2.4.2 Voltage Regulator

You must use a voltage regulator to provide the PSoC Vcc supply. LIN transceivers with built-in regulators are available.

2.4.3 External Pin Connections

You have the option to decide which pins to use for the TX and RX pins in the design. These connections are done in the Device Editor of PSoC Designer. Details on how to configure the pins are in section 5, [Using the Design IP, on page 35](#).

3. Master Design IP



3.1 Software Architecture

3.1.1 Overview

The software architecture maximizes interrupt processing to minimize the processing overhead on the end application. All message processing through configurations is performed at the interrupt level. Each stage is designed as a state machine and, upon completion, this state machine unloads itself and loads in the next required configuration to propagate the message to completion through the LIN message protocol sequence. Each message scheduled for processing is identified by the identifier byte in the header. The identifier is defined by the agreed master-slave relationship in the LIN description file (LDF). See the example LDF in section 5, [LIN Description File \(LDF\) on page 43](#).

The master has a Schedule table where the frames are defined in the sequence in which they are transmitted on the bus. This table also contains an entry for the duration slot for each frame. In addition to the Schedule table, there is a Signal table in which the frames that are used in the system are defined. This table contains parameters such as the protected identifier, transfer type, checksum mode, data count, and the pointer to the frame buffer.

There are three transfer types:

- MASTER_TO_SLAVE where the master sends the data after the protected ID for the slave to process.
- SLAVE_TO_MASTER where the slave responds with data to the master's request.
- SLAVE_TO_SLAVE where the master initiates a frame and the data is transferred from one slave to another.

When a MASTER_TO_SLAVE transaction takes place, the master transmits the content of the frame's buffer to the slave. For SLAVE_TO_MASTER, the master receives the slave's response and deposits the data in the frame's buffer. For a SLAVE_TO_SLAVE transfer, the master discards all the data received at the end of the frame.

There are two types of checksum modes used, classic and enhanced. For LIN 1.x slave nodes, use the classic checksum for all frames. For LIN 2.0 slave nodes, use enhanced checksum for frames with identifiers 1 through 59. For identifiers 60 to 63, use classic checksum. While creating the Signal table, refer to the LDF to determine the slave version before deciding the checksum type.

The data count also depends upon the slave type. For LIN1.x slaves, the data count is fixed for different protected identifiers. For these frames, the data count is set to zero in the Signal table. When the master comes across a zero for data count in this table, it assumes that the default data count is used and extracts the data count from the protected identifier. For LIN 2.0 slaves, the data count can be from one to eight. So the data count entry can have any value from one to eight. Again, this value must be configured after studying the LDF.

The buffer pointer is an entry that has the address of the buffer for the particular frame. The master reads from or writes to the corresponding frame buffer using the buffer pointer parameter.

3.1.2 Foreground Processing

The main process must initialize the LIN function and then set the Schedule table using the `L_sch_set` function. After this, the main process performs the actual application. The successive frame transfers are initiated either inside the main loop or inside the schedule timer's interrupt service routine (ISR). The schedule timer is configured to generate an interrupt based upon the time base defined in the LDF. When a frame is read from the Schedule table, the time for the frame is also read and a loop counter is updated with this time count. This counter is decremented inside the schedule timer ISR. When it reaches zero, a flag is set to indicate that the next frame is ready for processing. The main function continuously checks this using the `LinMaster_flgLinReady` function. When this flag is set, the main function calls the `L_sch_tick` function to start the next message. Alternatively, the `L_sch_tick` function can be called from the schedule timer ISR.

The main program is able to perform other functions inside the main loop. It checks the status of each frame transfer by checking the first byte of the frame buffer. It can also update frames or process received data.

More details on the `L_sch_tick` function are in the API section ahead.

3.1.3 Timing and Interrupts

Automotive applications are often real-time driven. As a result, the LIN driver only uses interrupts with no active loop or blocking functions. Overhead measurements made on a LIN bus with messages transferred at 19200 bauds and the PSoC CPU running at 24 MHz, show a 0% overhead between messages, and a maximum of 5% overhead while sending or receiving messages. Refer to [Time Study on page 28](#) in this chapter.

3.2 Device Configurations

The LIN master design uses dynamic reconfiguration and has three configurations, the Synchro Break Configuration, Data Transmission Configuration and the Data Reception Configuration. The Synchro Break Configuration generates the break field. The Data Transmission Configuration sends the synchronization byte and any data bytes to be transmitted followed by the checksum byte. The Data Reception Configuration receives the slave's response data.

3.2.1 Synchro Break Configuration

Figure 3-1 shows the module placement for the Synchro Break Configuration. This configuration has one 8-bit counter (SB_Baud_Rate_Counter) that generates the baud clock. The output frequency of this clock generator is eight times the baud rate. There is a second 8-bit counter (SB_Bit_time_counter) that is used to generate an interrupt every bit time. Finally, there is a third 8-bit counter (Synchro_Break_Counter) that generates the actual break field. The period and compare values of Synchro_Break_Counter are set in such a way that one full cycle of the counter produces a break time approximately equal to 13 bit times and the break delimiter equal to one bit time. The TX and RX pins are compared to detect any bit error inside the Bit_time_counter ISR.



Figure 3-1. Synchro Break Configuration

3.2.2 Data Transmission Configuration

Figure 3-2 shows the user module placement for the Data Transmission Configuration. This configuration has one 8-bit counter that generates the baud rate (DT_Baud_rate_counter), one 8-bit counter that is used to generate interrupts every bit time for detecting bit errors (DT_Bit_time_counter), and one TX8 User Module to transmit data (TX8). The baud rate generator is configured to generate a clock eight times that of the baud clock and feed

the TX8 block's clock input. When break field generation is complete, the Data Transmission Configuration is loaded and 0x55 is transmitted as the synch byte. Next, the protected identifier is transmitted. The protected identifier is followed by master's data and the checksum if the frame is MASTER_TO_SLAVE. Also during the data transmission, the Bit_time_counter generates an interrupt every bit time. Inside the Bit_time_counter's ISR, the TX and RX pins are compared. If they are not equal, then the BIT_ERROR flag is set and transmission of the current frame is aborted.

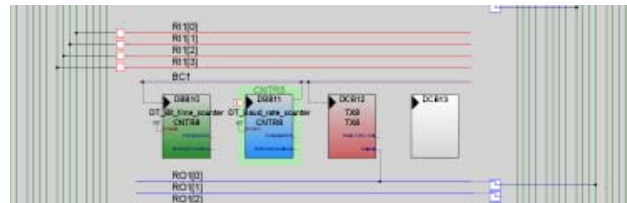


Figure 3-2. Data Transmission Configuration

3.2.3 Data Reception Configuration

Figure 3-3 shows the user module placement for the Data Reception Configuration. This has one 8-bit counter that generates the baud rate (DR_Baud_rate_counter), one 8-bit counter that is used to generate interrupts every five bit times for detecting the slave non-response timeout (DR_Bit_time_counter), and one RX8 User Module that receives data (RX8). The DR_Baud_rate_counter is configured to generate a clock eight times that of the baud clock and feed the RX8 block's clock input. The received bytes are transferred to the temporary buffer inside the RX8 ISR. When all the bytes indicated by the variable bNbDataToReceive have been received, the master processes the received data. Also, the bit time counter generates an interrupt every five bit times and a timeout counter is decremented inside the DT_Bit_time_counter ISR. The timeout is set as number of bit times according to the length of the frame. If the frame is not completed within this timeout (if the concerned slave stops transmitting), the Synchro Break Configuration is loaded and the "Slave Not Responding" error flag is set.



Figure 3-3. Data Reception Configuration

3.3 Firmware

3.3.1 Overview

The initiation of a frame is done by the `L_sch_tick` function. This function first reads the Schedule table and loads the frame parameters of the frame to transmit. It then loads the Synchro Break Configuration and starts the synchro break timer. This timer is configured to generate a dominant state of 13 bit times and a recessive (logic high level on the bus) state of one bit time. On the terminal count interrupt of this timer, the Data Transmission Configuration is loaded and the synch byte of 0x55 is transmitted. The protected identifier is transmitted next. If the transfer is MASTER_TO_SLAVE, all data bytes are transmitted one by one with the checksum as the last byte. If the transfer type is not MASTER_TO_SLAVE, then the Data Reception Configuration is loaded and the response from the slave is received. Data is processed after all bytes are received. Once the `L_sch_tick` function loads the Synchro Break Configuration and starts the synchro break timer, the rest of the frame is processed in the background, inside ISRs. More about the ISRs will be explained in the following sections. This enables the main function to run in the foreground. There are four different interrupts processed inside the LIN master. One or more of these interrupts may be active depending upon the active state. The code inside each of these ISRs is well commented so that it is very easy to understand the operation.

3.3.2 Synchro Break Interrupt

The `L_sch_tick` function loads the Synchro Break Configuration and starts the synchro break counter. The synch counter clock is from the baud rate clock generator, which runs at eight times the bit rate. The period of the synch counter is set to 111. This is equal to 14 bit times. The compare value of the counter is set to eight, which is equal to one bit time. So the output of the counter remains low for 13 bit times and high for one bit time. At the terminal count, the synchro break counter generates an interrupt. The Data Transmission Configuration is loaded inside this ISR. 0x55 is then placed on the TX buffer to generate the synch field. The rest of the frame is continued from the TX interrupt.

3.3.3 TX Interrupt

Inside the TX ISR, the program checks if this is the first interrupt. If this is the first interrupt, 0x55 was placed in the TX shift register and the buffer is empty. The bit time counter is started and its interrupt enabled. This counter's interrupt is used to check for bit errors. The `bNbDataToSend` variable is then checked. If this variable equals zero, no more bytes are sent and the `bfLAST_BYTE_SENT` flag is set. The completion of the frame takes place inside the `Bit_time_counter`'s ISR. If the `bNbDataToSend` is not zero, then the next byte sent is transferred to the TX buffer. Then the `bNbDataToSend` variable is decremented by one before exiting the ISR.

3.3.4 RX Interrupt

If a response is expected from the slave, the Data Reception Configuration is loaded. This is done inside the `Bit_time_counter`'s ISR for the Data Transmission Configuration. When a byte is received from the slave, this interrupt is generated. Inside the interrupt, the received data is placed on a buffer in the RAM. The `bNbDataToReceive` variable is decremented and checked if zero. If it is not zero, the ISR is exited. If this value becomes zero, it means that all the bytes were received and the Synchro Break Configuration is loaded to allow for the next frame initiation. Then the `bfDATA_TO_COPY` flag is checked. This flag is set if this is a SLAVE_TO_MASTER transaction and is not set if this is a SLAVE_TO_SLAVE transaction. For a SLAVE_TO_SLAVE transaction, the master has nothing to do with the received data so the data is discarded. For a SLAVE_TO_MASTER transaction, the checksum of the received data is verified. If the checksum is valid, the received data is transferred to the corresponding frame buffer. The checksum of the data bytes is compared with the last byte of the frame, which is the checksum transmitted by the slave. If they are identical, the data is valid. If the data is a slave's response to a master's diagnostics request, the received data is processed for the RSID, error code etc. of the slave response. Details of RSID may be found in the LIN 2.0 specifications.

3.3.5 Bit Time Interrupt

The bit time interrupt is used in all the configurations.

3.3.5.1 Synchro Break Configuration

In the Synchro Break Configuration, the bit time counter generates an interrupt every bit time. Inside the ISR, the TX and RX pins are compared to check if there is a bit error. If a bit error is found, the frame is aborted and the Synchro Break Configuration is reloaded. Also, when the TX state is sensed as logic high, the TX pin is disconnected from the global bus and made `StdCPU` and the TX pin's state is made logic high. This is done to prevent the counter output from becoming logic low upon terminal count before it is stopped inside the synchro break ISR. This unwanted low transition could be taken as the falling edge of the synch byte by the slaves connected to the cluster and may lead to communication errors.

3.3.5.2 Data Transmission Configuration

In the Data Transmission Configuration, the bit time interrupt is used to compare the TX and RX pins. The number of bits compared is tracked by the `bNbBitsAnalyzed` variable. This variable is initially set to 10, including the start and stop bits of a byte. Whenever this variable becomes zero, a byte is analyzed and the `bfLAST_BYTE_TRANSMITTED` flag is checked. If this flag is set, the last byte of the frame was sent. When this happens, the `bNbDataToReceive` variable is checked. If this is zero, then the Synchro Break Configuration is loaded. If this is not zero, then the Data Reception Configuration is loaded to receive the slave's response.

3.3.5.3 Data Reception Configuration

In the Data Reception Configuration, the bit time counter is configured to generate an interrupt every five bit times. Inside this ISR, a timeout counter is decremented by five. This timeout counter is initialized by the `_sch_tick` function according to the number of data present in the frame. In a normal frame transaction, the frame is completed before this counter becomes zero. However, if the slave stops transmitting in the middle of the frame for any reason, and the timeout counter becomes zero, a timeout is detected, the `SLAVE_NOT_RESPONDING` error flag is set and the Synchro Break Configuration is loaded.

3.4 Source Code Files

Lin20CoreAPI.asm: This file has all the functions for the LIN core API.

Lin20NodeConfiguration.asm: This file has all the functions for the node configuration.

Lin20PhysicalLayer.asm: This file has all the code related to the proper operation of the LIN firmware. This file has all the ISRs described in section 3.3, [Firmware on page 17](#).

RamVariables.asm: This file has all RAM variable allocations.

SignalTable.asm: This file has the Message table and the Protected ID table. This file must be modified according to the LDF.

ScheduleTable.asm: This file has the Schedule tables used in the master design. This file must be modified according to the LDF.

LinPowerManagement.c: This file has the functions that are required for the go to sleep and wakeup operations of the LIN master.

NodeConfigUtilities.c: This file has some functions that can be used for node configuration functions.

3.5 Header Files

Lin20CoreAPI.h: This file has all the function prototypes for the `Lin20CoreAPI.asm` file.

Lin20NodeConfiguration.h: This file has all the function prototypes for the `Lin20Nodeconfiguration.asm` file.

Lin20Defines.h: This file has the variable types defined in the LIN specifications.

Lin20Master.h: This file has the definitions of different constants and flags used in the firmware.

LinPowerManagement.h: This file has the function prototypes for the `LinPowerManagement.c` file.

NodeConfigUtilities.h: This file has the function prototypes for the `NodeConfigUtilities.c` file.

SignalTable.h: This file has declarations of the signal buffers and frame names used in the `SignalTable.asm` file.

ScheduleTable.h: This file has the declarations of the Schedule table names used in the `ScheduleTable.asm` file.

Lin20Master.inc: This file has the definitions of all the constants and flags used by the `Lin20PhysicalLayer.asm` file.

Of all source code and header files, you must modify the following files according to the LDF.

- `Lin20Master.inc`
- `SignalTable.asm`
- `SignalTable.h`
- `ScheduleTable.asm`
- `ScheduleTable.h`

3.6 Creating a Project Using the Design IP

Follow these steps to create a LIN master PSoC project using the Design IP.

3.6.1 Importing the Design

There are two ways to import the design. One is to create a new project in PSoC Designer and use the design-based project option. The other is to create a project and then import the design using the Design Browser. The recommended method is to create a new design-based project.

1. Select File >> New Project >> Create Design-Based Project.
2. Select the directory in which to create the project files.
3. Select the directory and name for a project.
4. The Design Browser opens. The Design Browser has two windows. The window on the left side is the Design Browser itself where you select the design. The window on the right side shows the data sheet for the selected design. On the top of the Design Browser window there are two radio buttons that select between "Browse File System" and "Select From Design Catalog." Click the "Browse File System" option. Navigate to the "\Design IP\Lin2.0 Master" directory on the CD, and open the folder corresponding to the device that you want to use. Then select the `.cfg` file in this directory. Now the data sheet window on the right shows the data sheet of the LIN master design.
5. Below the Design Browser window, there are two radio buttons, "Overwrite configurations with same name" and "Resolve configuration name conflicts." Use these options when importing a design into an already-existing project and if some of the configurations from the existing project have the same name as that of the imported design.
6. Below this there are two windows, "Resolve name conflicts" and the "Specify base configuration." The "Specify base configuration" window has the Synchro Break Configuration, Data Transmission Configuration and Data Reception Configurations listed. Do not select any of these options.

7. The “Resolve name conflicts” window lists functions in the imported design that have the same name as functions in the existing project. When there is a name conflict, clicking the “Auto Resolve” button automatically renames the conflicting function names.
8. Below this, details of the design such as date of creation, description and the base part number are displayed.
9. Click **OK**.
10. Now in the Device Selection window, select the device for the project.
11. Select “Generate main file using C.”
12. Select “Device Editor” as the Designer State.
13. Click **Finish**.
14. A Design Import Status window opens and displays the import status.
15. When the design is imported, PSoC Designer opens the Device Editor.
16. Four configurations are visible. The base configuration with the project name, the Synchro Break Configuration, Data Transmission Configuration and the Data Reception Configuration.
17. Go to Project >> Settings, Device Editor tab. In the configuration initialization type, select “Direct Write (Speed Efficient).”
18. Now switch to the base configuration and select all the user modules to include in the main application.

3.6.2 Configuring Global Resources

Now switch to the Interconnect View and select the base configuration. First, configure all the global resources related to the LIN design. Whatever changes made to the base configuration, are reflected in the other three loadable configurations.

1. Set CPU speed to 24 MHz. (Set the CPU speed to 12 MHz for the CY8C27x43 automotive grade device.)
2. Set 32 kHz to External.
3. Set the PLL to Enabled.
4. Set VC1 divider to 12.

These are the required global resources for the LIN master. The clock VC1 is used as the source clock to LIN modules. The divider is set to 12 in the firmware so that the output of VC1 is 2 MHz. Take this into account when using VC1 and VC2 in the main application. You can set all the other global resources in your main application.

3.6.3 Configuring GPIO

Next, decide the TX and RX pins of the LIN bus. To properly select their drive modes in all configurations, follow these steps carefully.

1. Switch to the base configuration. Use the Config >> Restore default pinout. All the pins in the GPIO configuration pane become StdCPU, High Z Analog, DisableInt. Repeat this step for the synchro break, data transmission and data reception configurations.
2. Return to the base configuration.
3. In the GPIO configuration pane, rename the port pin you plan to use as the RX pin to “RX.” Then rename the pin

you plan to use as the TX pin as “TX.” Capitalize these letters.

4. In the Select column of the RX pin, select the GlobalInOdd_x or GlobalInEven_x. The drive mode automatically becomes High Z.
5. In the Select column of the TX pin, select the GlobalOutOdd_x or GlobalOutEven_x. The drive mode automatically becomes Strong.
6. Switch to synchro break, data transmission and data reception configurations and check that these changes are reflected.

The GPIO configuration is done. After this, modify the GPIO of the other port pins according to the main project requirements. Whenever a modification is done in the base configuration, the same settings are updated in the other three configurations. Thus, regardless of which configuration is active, the GPIO state of the main application is maintained. When the process is complete, the configuration of the TX and RX pins looks like this:

Table 3-1. TX Pin

Configuration	Name	Port	Select	Drive	Interrupt
Base	TX	As selected	GlobalOut	Strong	DisableInt
Synchro Break	TX	As selected	GlobalOut	Strong	DisableInt
Data Transmission	TX	As selected	GlobalOut	Strong	DisableInt
Data Reception	TX	As selected	GlobalOut	Strong	DisableInt

Table 3-2. RX Pin

Configuration	Name	Port	Select	Drive	Interrupt
Base	RX	As selected	GlobalIn	High Z	DisableInt
Synchro Break	RX	As selected	GlobalIn	High Z	DisableInt
Data Transmission	RX	As selected	GlobalIn	High Z	DisableInt
Data Reception	RX	As selected	GlobalIn	High Z	DisableInt

3.6.4 Routing the Signals

The next step is to route the signals to the digital blocks of the LIN configurations.

1. Go to the Synchro Break Configuration.
2. Route the Compare Out of the synchro break counter to the appropriate Row_1_Output_x line. For example, if you have configured P0[3] as TX pin, then route the Compare out to Row_1_Output_3 net.
3. From this Row_1_Output_x net, route the signal to the appropriate GlobalOut bus to which the TX pin is connected.
4. Switch to the Data Transmission Configuration.
5. Route the output of the TX8 to the same Row_1_Output_x line used by the synchro break counter (step 2) and from there to the GlobalOut bus to which TX pin is connected.
6. Switch to the Data Reception Configuration.
7. Route the Global_Input net to which RX is connected, to an appropriate Row_1_Input_x net. Select Synch to SysClk in the Synchronization box. For example, if P0[2] is used as RX, then connect GlobalIn_Even_2 bus to Row_1_Input_2 net.

8. Select Row_1_Input_x (step 7) as the input to the RX8 User Module.
9. Switch to the base configuration.
10. Make the connection from Row_1_Output_x net to the Global bus as used by the Data Transmission and Synchro Break configurations in the base configuration.
11. Make the connection from Global_In bus to the Row_1_Input_x net as used by the Data Reception Configuration.

With this routing of signals, the hardware configuration is complete.

3.6.5 Setting the Baud Rate

In the *Lin20Master.inc* file, there are four constants: BR2400, BR4800, BR9600, and BR19200. These correspond to 2.4K, 4.8K, 9.6K, and 19.2K baud rates, respectively. Set the value of one of these constants to 1 to correspond to the baud rate. This constant is used to select the period and compare values of the baud rate generator. Make only one of these constants 1.

3.6.6 Adding the Schedule Timer

An important module necessary for the proper functioning of the master is the schedule timer. This timer is used to generate the frame slot timings for the LIN bus. This is placed by the user in the base configuration. Follow these steps.

1. Go to the base configuration.
2. Select a Counter8 User Module and add it to the project.
3. Rename it "ScheduleTimer."
4. Place it in any of the available digital blocks. Avoid placing it in a digital block used by the LIN design in any of the other configurations.
5. Configure the parameters for the counter as:
 - Clock: according to the time base
 - Enable: High
 - CompareOut: None
 - TerminalCountOut: None
 - Period: As per time base
 - CompareValue: $\frac{1}{2}$ (Period + 1)
 - CompareType: Less Than or Equal To
 - InterruptType: Terminal Count
 - ClockSync: As per the Clock source
 - InvertEnable: Normal

3.6.7 Setting the Source Clock and Period

Set the source clock and period according to the time base specified in the LDF. In the example, the time base is 1 ms. Make the counter output frequency 1 kHz. Since the configuration of the clock resources is very flexible, there are different combinations of clock source and period that are possible. For example:

- Clock: VC2.
- VC2 Divider = 10. As VC1's divider is already set to 12 by the LIN firmware, the output frequency of VC2 is 200 kHz.

- Period = 199. VC2 is divided by (Period + 1), i.e., 200 to give an output frequency of 1 kHz.

3.6.8 Configuring the Signal Table

You now need to configure the frames used in the system in the *SignalTable.asm* file. This configuration is done according to the LDF. For this example, refer to the LDF provided in section 5, [LIN Description File \(LDF\) on page 43](#). According to the LDF file, a total of four frames are used.

- VL1_CEM_Frm1: This frame is published by the master and is subscribed to by the slaves CPM and DIA. The protected ID for this frame is 0xF0. The length of this frame is eight bytes.
- VL1_CPM_Frm1: This frame is published by slave CPM and is subscribed to by the master. The protected ID of this frame is 0x9C. The length of this frame is two bytes.
- VL1_CPM_Frm2: This frame is published by slave CPM and is subscribed to by the master. The protected ID of this frame is 0x32. The length of this frame is one byte.
- VL1_DIA_Frm1: This frame is published by slave DIA and is subscribed to by the master. The protected ID of this frame is 0x80. The length of this frame is two bytes.

3.6.9 RAM Allocation

First the buffers for these frames are allocated in RAM. A name is given to each frame and the buffer is named as Buffer<FrameName>. The frames are named Frame1, Frame2, Frame3, and Frame4. The buffers for these frames are BufferFrame1, BufferFrame2, BufferFrame3, and BufferFrame4. When assigning RAM, one extra byte is allocated for each frame. This byte is used as the status byte of that particular frame. The LIN firmware updates the status of transaction of each frame in this byte. The status byte is the first byte of the array. Another buffer is used by the LIN firmware for diagnostic frames. This buffer is named "abDiag-Buffer." The diagnostic frames always carry eight bytes. This makes the total length of this buffer nine bytes.

Here is an example of RAM allocation.

```
area bss(ram)

_abDiagBuffer:
_abDiagBuffer:   BLK 9; Buffer for Diagnostic
frames
_BufferFrame1:
_BufferFrame1:  BLK 9; Buffer for Frame1
_BufferFrame2:
_BufferFrame2:   BLK 3; Buffer for Frame2
_BufferFrame3:
_BufferFrame3:   BLK 2; Buffer for Frame3
_BufferFrame4:
_BufferFrame4:   BLK 2; Buffer for Frame4
```

3.6.10 Frame Definition

Now the frames are defined in the Signal table. Each frame has the following parameters entered in this order:

- A. Checksum Type:** This entry defines the checksum type used for the particular frame. There are two types of checksums, CSUM_CLASSIC and CSUM_EXTENDED. CSUM_CLASSIC is used for frames that belong to LIN slaves of version 1.3 or less and for diagnostic frames. CSUM_EXTENDED is used for LIN 2.0 slaves.
- B. Data Count:** This entry indicates the length of data carried by the frame. For LIN1.x slaves, this parameter is left as zero. When the I_sch_tick function finds that the data count is zero, it calculates the standard length for the frame from the protected ID.
- C. Buffer Pointer:** This entry is the pointer to the buffer for this frame that is reserved in RAM. Enter the name of the buffer in this entry. The compiler will translate this to the RAM address and create the table.
- D. Data Direction:** This entry indicates the direction of data flow. MASTER_TO_SLAVE indicates that the slave must receive data from master and SLAVE_TO_MASTER indicates that the slave must transmit a response to the master. SLAVE_TO_SLAVE indicates that the data flow is from one slave to another. In this type of transaction, the master's job is only to generate the header of the frame.
- E. Protected ID:** This entry is for the protected ID for the particular frame.

```

_Frame1:
db 8 ;Data Count
Frame1:
db CSUM_EXTENDED ; Checksum Type
db 0 ; Data count
db BufferFrame1 ; Buffer address
db MASTER_TO_SLAVE ; Direction
db 0xF0 ; ID

_Frame2:
Frame2:
db CSUM_EXTENDED ; Checksum Type
db 2 ; Data count
db BufferFrame2 ; Buffer address
db SLAVE_TO_MASTER ; Direction
db 0x9C ; ID

_Frame3:
Frame3:
db CSUM_EXTENDED ; Checksum Type
db 1 ; Data count
db BufferFrame3 ; Buffer address
db SLAVE_TO_MASTER ; Direction
db 0x32 ; ID

_Frame4:
Frame4:
db CSUM_EXTENDED ; Checksum Type
db 2 ; Data count
db BufferFrame4 ; Buffer address
db SLAVE_TO_MASTER ; Direction
db 0x80 ; ID

```

In addition to these user-defined frames, there are some frames used by the master for diagnostics. They are the master request and slave response frames. For both these frames, the data count is eight, the checksum type is extended, and the response buffer is abDiagBuffer.

```

_MasterRequest:
  MasterRequest:
db CSUM_CLASSIC      ; Checksum Type
db 8                  ; Data count
db abDiagBuffer      ; Buffer address
db MASTER_TO_SLAVE  ; Direction
db 0x3C               ; ID

_SlaveResponse:
  SlaveResponse:
db CSUM_CLASSIC      ; Checksum Type
db 8                  ; Data count
db abDiagBuffer      ; Buffer address
db SLAVE_TO_MASTER   ; Direction
db 0x7D               ; ID

```

Once the frame definition and the buffer allocations are complete, export these names as Global so they are used in the main application and the LIN API. All the frame names and buffer names must be declared with and without an underscore. The name with the underscore is to enable the name to be used in C functions. For the above example, the following names are exported.

```

export _MasterRequest
export MasterRequest
export _SlaveResponse
export SlaveResponse
export _Frame1
export Frame1
export _Frame2
export Frame2
export _Frame3
export Frame3
export _Frame4
export Frame4

export _abDiagBuffer
export abDiagBuffer
export _BufferFrame1
export BufferFrame1
export _BufferFrame2
export BufferFrame2
export _BufferFrame3
export BufferFrame3
export _BufferFrame4
export BufferFrame4

```

Once these names are exported, they are available to any assembly function. To use these names in C, they must be declared in a C header file. This is done in the *SignalTable.h* file. All frame names are defined as “const char” as they are in the Flash and the buffer names are defined as “BYTE” as

they are in the RAM. The following are the entries in the *SignalTable.h* file.

```

// Definition of Frame Buffers to be used by
the main program
extern BYTE BufferFrame1[];
extern BYTE BufferFrame2[];
extern BYTE BufferFrame3[];
extern BYTE BufferFrame4[];
extern BYTE abDiagBuffer[];

// Definition of Frame names to be used by
the main program
extern const char Frame1[];
extern const char Frame2[];
extern const char Frame3[];
extern const char Frame4[];

```

3.6.11 Schedule Table

3.6.11.1 Structure of Schedule Table

Once the frames used in the cluster are defined, you need to create Schedule tables. The Schedule tables are found in the “*ScheduleTable.asm*” file. To create a Schedule table, you first select a name. For the example, create a Schedule table called Schedule1. The table entries are entered in this order.

- A. Frame Name:** The name of the frame to be transmitted.
- B. Frame Time Constant:** The number of schedule timer interrupts before the next frame is transmitted. This value is derived from the “Node Capability File” of the nodes. The node capability file has frames defined with minimum and maximum frame times. If these values are not given in the node capability file, then use the formula given in “Section 2.2 Frame Slots” in the LIN 2.0 protocol specification. The equations are:

$$T_{\text{Header Nominal}} = 34 * T_{\text{Bit}} \quad \text{Equation 1}$$

$$T_{\text{Response Nominal}} = 10 * (N_{\text{Data}} + 1) * T_{\text{Bit}} \quad \text{Equation 2}$$

$$T_{\text{Frame Nominal}} = T_{\text{Header Nominal}} + T_{\text{Response Nominal}} \quad \text{Equation 3}$$

This calculation does not consider the response space, byte space or inter-frame space. The actual time used is according to the LIN 2.0 protocol specification.

$$T_{\text{Frame Maximum}} = 1.4 * T_{\text{Frame Nominal}} \quad \text{Equation 4}$$

From this time, calculate the number of schedule timer overflows based upon the schedule timer time base.

Frame Time Constant = Frame Time / Timebase

For example, if the frame time is calculated as 20 ms and the time base is 1 ms, then the frame time constant is 20 ms / 1ms = 20.

3.6.11.2 An Example Schedule Table

Here is an example Schedule table. The name of the table is Schedule1. This table has Frame1, Frame2, Frame3 and Frame4 (which are defined in the *SignalTable.asm* file) in the order they are entered in the Schedule table.

Schedule table example:

```
_Schedule1:
  Schedule1:
dw Frame1, 20
dw Frame3, 10
dw Frame2, 10
dw Frame4, 10
dw 0xFFFF
```

The last entry in the Schedule table is the table terminator. When the `I_sch_tick` function comes across `0xFFFF`, it goes back to the start of the Schedule table.

3.6.11.3 Diagnostic Schedules

In addition to the user-defined Schedule tables defined in the LDF, there are some tables defined in the API that are available for other diagnostic functions. They are listed below.

- **ScheduleNodeConfiguration:** This schedule contains a master request frame and a slave response frame.
- **ScheduleGoToSleep:** This schedule contains a master request frame.
- **L_NULL_SCHEDULE:** This schedule is null and does not transmit any frame.

These schedules are at the end of *ScheduleTable.asm* file. Set these tables using the `I_sch_set` function before calling the node configuration functions or the `I_goto_sleep` function.

Once the Schedule table definitions are done, export the schedule names so that they are referenced by the LIN functions and the main program. This is done in the beginning of the *ScheduleTable.asm* file.

```
; Export Schedule Names
export _L_NULL_SCHEDULE
export L_NULL_SCHEDULE
export _Schedule1
export Schedule1
export _ScheduleNodeConfiguration
export ScheduleNodeConfiguration
export _ScheduleGoToSleep
export ScheduleGoToSleep
```

Then declare these names in the *ScheduleTable.h* file so that these schedules are referenced in the C program.

```
// Definition of Schedule Names to be used in
the main program.
extern const char L_NULL_SCHEDULE[];
extern const char Schedule1[];
extern const char ScheduleNodeConfigura-
tion[];
extern const char ScheduleGoToSleep[];
```

3.6.12 Adding the Main Application

Now that the LIN 2.0 master is configured, you can add the main application. Follow the normal procedure of building an application using PSoC Designer. Place the user modules in the base configuration, finish the routing, and generate the application.

In the *main.c* file, follow these steps to properly start the LIN firmware and update the LIN frames.

1. Call the `I_ifc_init` function to initialize the LIN function.
2. Enable the Global Interrupts using the `M8C_EnableGInt` macro.
3. Write a 0 to the first byte of all the frame buffers. This is to clear the status bytes of the buffers.
4. Perform node configuration if necessary.
5. Set the schedule that the master must follow.
6. Inside an infinite loop, add the application code.
 - Keep checking for a completion of transaction of each frame using the `bfLAST_TRANSACTION_OK` flag on the first byte of the frame buffer, then process the data.
 - If polling is used to initiate a frame transfer, use the `LinMaster_fIsLinReady` function to check if the current time slot is over before calling the `I_sch_tick` function.
 - If using an interrupt-driven frame transfer, then call the `I_sch_tick` function inside the `ScheduleTimer_ISR` function found in the *FrameTiming.c* file.

The example main file given in section 5, [Demonstration Projects on page 43](#), uses the polling method of frame transfer.

3.6.13 Special Features

3.6.13.1 Low Power Management

For power management there are some functions available in the *LinPowerManagement.c* file.

- A. **ShutdownLin:** This function properly stops all the active LIN resources and makes the pins HighZ so that the processor enters a low power state. Inside this function, there is an area into which the user must enter code to stop all the resources used by the main application. Also, if the main application uses analog resources, turn off the analog reference and the analog buffers to minimize current consumption during sleep state. It also disables all the interrupts except the GPIO interrupt. Call this function to put the master in power-down mode after it executes the `I_goto_sleep` function putting all the slaves in the cluster to power-down mode.
- B. **SleepLoop:** When this function is entered, the `M8C_Sleep` macro is executed to put the processor to sleep. Once the processor is put to sleep, it wakes up only upon an interrupt. Since all interrupts are disabled except the GPIO interrupt, when a slave in the cluster issues a wakeup command (dominant state for a time of 250 μ s to 5 ms), the processor wakes up and enters a loop where it waits for the bus to go to recessive state. When this happens, it checks the length of the dominant state. If this length is within a specified limit, it returns

from this function. If the dominant state is less than 250 μ S or if the state does not become recessive for more than 5 ms, the processor is put to sleep again. The processor can be configured to wake up on some other interrupt if the master must wake up on its own to complete some other task. For example, if the master must wake up upon a sleep interrupt and perform some operation, add code for this also inside the function. In this situation, the interrupt upon which the master must wake up also must be enabled inside the ShutDownLin function.

- C. RestartLin:** This function restores the processor to the original configuration and restarts the LIN core. It has a marked area where the user can add code to start the resources required for the main application.

3.6.13.2 Node Configuration

Some functions are provided in the *NodeConfigUtilities.c* file for carrying out node configuration.

- A. ConfigureNode:** Use this function to assign a frame ID to a desired node. This function sends the master request frame with the proper parameters, sends the slave response frame, analyzes the slave's response, and returns the status.
- B. ReadByIdentifier0:** Use this function to read the node information of any desired slave. This function transmits the master request frame with the ReadById command with ID=0, sends the slave response frame and returns the node information such as function ID, supplier ID, and variant in variables whose pointers are passed to this function.
- C. ReadByIdentifier1:** Use this function to read the serial number of the desired slave. This function transmits the master request frame with the ReadById command with ID=1, sends the slave response frame, and returns the node serial number in the variable whose pointer is passed to this function.

The details of the read by ID request are found in the Node Configuration section of the LIN 2.0 specifications.

3.6.13.3 Implementation of Sporadic Frames

Sporadic frames are frames that carry a signal only if an updated signal is available. It is possible to associate more than one frame to the same sporadic frame slot. And if more than one frame has an updated signal, the frame having the highest priority is transmitted in that time slot. If none of the frames has an updated signal, then the frame remains silent. The time for this silent frame can be set by modifying the DEFAULT_FRAME_TIME constant in the *SignalTable.inc* file.

Up to eight sporadic frames are supported in this design. There is a queue variable called `l_sporadic_frame_queue` which controls eight sporadic frames. Each bit of the variable corresponds to one sporadic frame. If a bit is set, then it means that the sporadic frame corresponding to that bit has an updated signal. The setting of bits must be done by the main program. If more than one bit is set, then the frame

corresponding to the least significant of these bits is processed first. That is, the frame corresponding to bit 0 has the highest priority and the frame corresponding to bit 7 has the lowest priority. When the frame has been transmitted, the corresponding queue bit is cleared by the LIN physical layer.

Follow these steps to construct a sporadic frame.

1. Add the name of the Sporadic Frame table in the Schedule table. Type 0 as the frame time constant. When the `l_sch_tick` function comes across a frame time constant with 0, it assumes that this is a sporadic frame and processes the Sporadic Frame table.
2. Construct a Sporadic Frame table with all the frames to be included in the frame.
Here is an example. Say Frame5, Frame6 and Frame7 are sporadic frames. Create a Sporadic Frame table with these frame names and their associated frame time constant. Type the frame with the highest priority first.

```
SporadicFrames:
dw Frame5, 15
dw Frame7, 15
dw Frame6, 15
dw 0xFFFF
```

In that example, Frame5 has highest priority followed by Frame7, then Frame6. Add this Sporadic Frame table to the Schedule table with time frame constant as 0.

```
_Schedule1:
Schedule1:
dw SporadicFrames,0
dw Frame1, 20
dw Frame3, 10
dw Frame2, 10
dw Frame4, 10
dw 0xFFFF
```

Now, in the main function, whenever the signal corresponding to any of the sporadic frames is updated, set the bit corresponding to the frame in the queue variable. The frame with the highest priority uses bit 0 and the frame with the lowest priority uses bit 7 of the queue byte. In the example, Frame5 uses bit 0 and Frame6 uses bit 1 of the `l_sporadic_frame_queue` variable.

```
if (Frame5 signal updated)
{
    // Code to update the
    Frame5 buffer with the signal
    l_sporadic_frame_queue |=
0x01;
}
if (Frame7 signal updated)
{
    // Code to update the
    Frame5 buffer with the signal
    l_sporadic_frame_queue |=
0x02;
}
if (Frame6 signal updated)
{
```

```

        // Code to update the
Frame5 buffer with the signal
        l_sporadic_frame_queue |=
0x04;
    }

```

Only the bits corresponding to the frames in the Sporadic Frame table are set by the main function.

3.7 Master Design APIs

3.7.1 Basic Functions

These API functions are used to control the LIN core including initializing, setting schedules, power management, etc.

l_sys_init

C Prototype: `l_u8 l_sys_init (void);`

Description: This is a dummy function included in the API for consistency with the LIN specifications.

Parameters: None.

Returns: Always 0.

l_ifc_init

C Prototype: `l_u8 l_ifc_init (void);`

Description: This function initializes the LIN master and loads the Synchro Reception Configuration. It also sets the Schedule table to `L_NULL_SCHEDULE`.

Parameters: None.

Returns: Always 0.

l_sch_set

C Prototype: `void l_sch_set(const char* l_schedule_handle, l_u8 entry);`

Description: This function sets up the next Schedule table to be followed by the `l_sch_tick` function. The entry defines the starting point in the new Schedule table. The entry value should be in the range of 0 to N, where N is the number of frames in the Schedule table. If the entry value is 0 or 1, then the new Schedule table is started from the beginning.

Parameters:

`l_schedule_handle`: The name of the schedule to make active.

`entry`: The frame number in the schedule that must be sent during the next frame slot.

Returns: None.

l_sch_tick

C Prototype: `l_u8 l_sch_tick(void);`

Description: The `l_sch_tick` function follows a schedule. When called, it initiates the next due frame in the current Schedule table. When the end of the current table is reached, the function starts from the beginning of the schedule.

Parameters: None.

Returns: The return value is the next schedule entry's number to be transmitted during the next time slot. Use this value to interrupt a current running schedule to run some other schedule and then use this return value with the `l_sch_set` API to again start from the left frame.

l_bytes_rd

C Prototype: `void l_bytes_rd (const char* l_signal_handle, l_u8 start, l_u8 count, char* data);`

Description: Reads and returns the current value of the selected bytes in the signal specified by `l_signal_handle`.

Parameters:

`l_signal_handle`: Name of the frame from which bytes are read.

`start`: This is the offset in the frame buffer from where the bytes are read.

`count`: Number of bytes to read.

`data`: Buffer to which the data are read.

Example: To read two bytes from Frame1 from the third byte of the buffer to another buffer called TempBuffer, use this code:

```
l_bytes_rd(Frame1, 2, 2, TempBuffer);
```

Note that the third byte of the frame buffer has an offset of two. That is why two is used as the offset parameter.

Returns: None.

l_bytes_wr

C Prototype: `void l_bytes_wr(const char* l_signal_handle, l_u8 start, l_u8 count, char* data);`

Description: Writes the specified data to the buffer of the specified signal.

Parameters:

`l_signal_handle`: Name of the frame to which bytes are written

`start`: The offset on the frame buffer from where the bytes are written.

`count`: Number of bytes to write.

`data`: Buffer from which the data are copied.

Example: For example, to write two bytes to Frame1 from the first byte of the buffer from another buffer called TempBuffer, use this code:

```
l_bytes_wr(Frame1, 0, 2, TempBuffer);
```

Note that the first byte of the frame buffer has an offset of zero. That is why zero was used as the offset parameter.

Returns: None.

l_ifc_read_status

C Prototype: `l_ul6 l_ifc_read_status(void);`

Description: The call returns a 16-bit status word.

Returns: 16-bit status word.

Table 3-3.

Bit Number	Description
Bit 0	Error in Response: This bit is set whenever there is an error in the LIN transaction.
Bit 1	Successful Transfer: This bit is set when the last frame was successfully processed.
Bit 2	Overrun: This bit is set when the last status was not read before the next update.
Bit 3	Go To Sleep: This bit is set when a go to sleep command has been received. This bit is also set by the firmware when a bus idle is detected.
Bits 4 to7	
Bits 8 to 15	Last Frame Protected ID: This byte has the protected ID of the frame that was processed last.

Usage: Use this function for the foreground program to monitor the LIN bus for error conditions. For example, use this code to trap any errors in the LIN bus:

```
if((char)l_ifc_read_status() &
bfSTATUS_ERROR_IN_RESPONSE)
{
    // Code to process error
}
```

An example 16-bit status word:

0x3202: Here, the MSB indicates the protected ID of the last frame processed and it is 0x32. Bit 1 of the LSB is set indicating that the last frame transfer succeeded.

l_ifc_irq_disable

C Prototype: `void l_ifc_irq_disable(void);`

Description: Disables system interrupts.

Parameters: None.

Returns: None.

l_ifc_irq_restore

C Prototype: `void l_ifc_irq_restore(void);`

Description: Restores system interrupts.

Parameters: None.

Returns: None.

l_ifc_goto_sleep

C Prototype: `void l_ifc_goto_sleep(void);`

Description: This function generates the go to sleep command on the LIN bus. As described in the LIN bus specifications, a frame with the protected ID of 0x3C (master request) and a first data byte of 0x00 is taken by all the slaves as a go to sleep command. So this function writes the first byte of the DiagBuffer with 0x00, sets the Schedule table to point to a master request frame, and calls the `l_sch_tick` function to initiate the frame transfer. It waits for the frame to be completed and then exits.

Parameters: None.

Returns: None.

l_ifc_wake_up

C Prototype: `void l_ifc_wake_up(void);`

Description: Generates a wakeup command on the bus. This function sends a 0xF0 on the LIN bus, which simulates a wakeup call.

Parameters: None.

Returns: None.

3.7.2 Miscellaneous Core API Functions

In addition to the above functions that are described in the LIN 2.0 specifications, more functions are added to enable the polling method to initiate frame transfer. Normally, the initiation of frames in LIN are interrupt driven. The `l_sch_tick` function is called from inside the schedule timer's ISR. These functions are useful if using the polling method.

LinMaster_fIsLinReady

C Prototype: `BYTE LinMaster_fIsLinReady(void);`

Description: Checks if the current frame slot is completed so that the next frame transfer can be initiated.

Parameters: None.

Returns: Non zero if the current frame slot is complete. Zero if the current frame slot is not complete.

Example: Use this code to initiate the next frame transfer:

```
if (LinMaster_fIsLinReady()) // Check if
current frame slot complete
{
    l_sch_tick();
}
```

LinMaster_ClrReadyFlag

C Prototype: `void LinMaster_ClrReadyFlag(void);`

Description: Clears the LIN ready flag.

Parameters: None.

Returns: None.

LinMaster_SetReadyFlag

C Prototype: void LinMaster_ClrReadyFlag (void);

Description: Sets the LIN ready flag. This function is called inside the schedule timer's ISR when a frame slot is complete.

Parameters: None.

Returns: None.

3.7.3 LIN Node Configuration API Functions

The *Lin20NodeConfigurationAPI.asm* file has all the required functions to perform node configuration. These functions are listed below.

ld_is_ready

C Prototype: BYTE ld_is_ready(void);

Description: This function returns true (non zero) if the diagnostic module is ready for the next command. This also implies that the previous command has completed. Use this to process the received response. Unless the *ld_is_ready* returns true, no other node configuration call is issued.

Parameters: None.

Returns: Zero, not ready.

Non zero, ready.

ld_check_response

C Prototype: BYTE ld_check_response(char* RSID, char* error_code);

Description: This routine returns the result of the last completed node configuration call. The RSID and error code sent by the slave are also returned for analysis. The result is interpreted as follows.

Parameters:

char *RSID: Pointer to the variable where the RSID of the slave is stored.

char *error_code: Pointer to the variable where the error code from slave is stored.

Returns: An unsigned char containing the status of the previous node configuration call. This table defines the flags.

Table 3-4.

Flag	Description
LD_SUCCESS	The call succeeded.
LD_NEGATIVE	The call failed. Parse the code to find more information.
LD_NO_RESPONSE	No response received for the request.
LD_OVERWRITTEN	Not used.

ld_assign_nad

C Prototype: void ld_assign_NAD(l_u8 NAD, l_u16 supplier_id, l_u16 function_id, l_u8 new_NAD);

Description: The call assigns the NAD of all the slaves that match the NAD, supplier_id and function_id. The new NAD of the nodes after this is new_NAD.

Parameters:

NAD: The NAD of the nodes.

supplier_id: The supplier_id for which the slaves are matched.

function_id: The function_id for which the slaves are matched.

new_NAD: The new NAD to be assigned to the matching slaves.

Returns: None.

Usage Notes: When this function is called, the diagnostic buffer in the RAM is updated with all the parameters. To actually send the command, point the *l_sch_set* function to a master request frame and call a *l_sch_tick* function.

ld_assign_frame_id

C Prototype: void ld_assign_frame_id(l_u8 NAD, l_u16 supplier_id, l_u16 message_id, l_u8 PID);

Description: This call assigns the protected identifier of a frame in the slave node with the address NAD and the specified supplier ID.

Parameters:

NAD: The NAD of the node.

supplier_id: The supplier_id of the slave.

message_id: The message ID for which the PID must be assigned.

PID: The protected identifier to be assigned to message_id.

Returns: None.

Usage Notes: When this function is called, the diagnostic buffer in the RAM is updated with all the parameters. To

actually send the command, point the `l_sch_set` function to a master request frame and call the `l_sch_tick` function.

ld_read_by_id

C Prototype: `void ld_read_by_id(l_u8 NAD, l_u16 supplier_id, l_u16 function_id, l_u8 id, char* data);`

Description: This call requests the node with the NAD to return the property associated with the ID parameter. When the next call to `ld_is_ready` returns true, the RAM area specified by data contains between one and five bytes of data according to the request.

Parameters:

NAD: The NAD of the node.

supplier_id: The supplier_id of the slave.

function_id: The function ID of the slave.

id: Indicates the property to read.

data: Pointer to the RAM buffer where the slave response is deposited.

Returns: None.

Usage Notes: When this function is called, the diagnostic buffer in the RAM is updated with all the parameters. To actually send the command, point the `l_sch_set` function to a master request frame and call `l_sch_tick` function. Then follow the master request frame with a slave response frame to get the slave's response.

ld_conditional_change_nad

C Prototype: `void ld_conditional_change_NAD(l_u8 NAD, l_u8 id, l_u8 byte, l_u8 mask, l_u8 invert, l_u8 new_NAD);`

Description: This call changes the NAD if the node properties fulfill the test specified by id, byte, mask and invert. For details, refer to the LIN Diagnostics Specification in the LIN 2.0 protocol document.

Parameters:

NAD: The NAD of the node.

id, byte, mask, invert: Test conditions.

new_NAD: The new NAD to assign to the slave.

Returns: None.

Usage Notes: When this function is called, the diagnostic buffer in the RAM is updated with all the parameters. To actually send the call, point the `l_sch_set` function to a master request frame and call the `l_sch_tick` function.

3.8 Time Study

3.8.1 ISR Timing

The following tables list the time taken by some of the important branches of the ISR in the LIN master node. The CPU overhead for various conditions are roughly computed using these tables.

Note that the times indicated are approximate and may change during future revisions of the firmware.

Table 3-5. Synchro Break Interrupt

Sl. No.	Stage	No. Of Cycles	Time(μS)
1	Break field sent	864	36.00

Table 3-6. Synchro Break Bit Time Interrupt

Sl. No.	Stage	No. Of Cycles	Time(μS)
1	Once every bit time for 14 bits	63	2.63

Table 3-7. TX Interrupt

Sl. No.	Stage	No. Of Cycles	Time(μS)
1	When a data byte is sent	58	2.42

Table 3-8. TX Bit Time Interrupt

Sl. No.	Stage	No. Of Cycles	Time(μS)
1	Once every bit time	65	2.71
2	When all bytes have been transmitted	989	41.21

Table 3-9. RX Interrupt

Sl. No.	Stage	No. Of Cycles	Time(μS)
1	Data byte received	95	3.96
2	Frame reception complete, normal	1679	69.96
3	Frame reception complete, slave response	1776	74.00

Table 3-10. RX Bit Time Interrupt

Sl. No.	Stage	No. Of Cycles	Time(μS)
1	Once in 5 bit times, normal	27	1.13
2	Once in 5 bit times, slave not responding	970	40.42

The overall CPU overhead for a frame is calculated by adding all the time components for a frame and then finding the fraction of the total frame time. Remember, this method only gives the overhead over a complete frame. The overhead at different instances of the frame may be different.

3.8.2 Calculation of CPU Overhead Over a Frame

The following calculations are based on a baud rate of 19.2 kbps and CPU speed of 24 MHz. For lower baud rates, the CPU overhead is less.

Example 1: A frame of 1 byte being transmitted.

Total time for break/synch: This is the sum of the time taken in the synchro break ISR and inside the bit time counter ISR.

Time taken in synchro break ISR = 36 μ S.

Time taken inside the bit time counter ISR = $14 * 2.63 \mu\text{S} = 36.82 \mu\text{S}$.

Transmission: 3 bytes sent are synch byte, data byte and checksum. Total time is time taken by the TX ISR and the TX bit time counter ISR.

Time taken by TX ISR = $3 * 2.42 \mu\text{S} = 7.26 \mu\text{S}$.

Time taken by bit time ISR = $30 * 2.7 \mu\text{S} = 81 \mu\text{S}$.

Time taken in bit time ISR at frame complete = 41.21 μ S.

Total time taken by ISRs = 202 μ S.

Total bits in frame = 54.

Total frame time = $1.4 * 54 * 1/19.2\text{K} = 3.93 \text{mS}$.

Overall CPU overhead = $202 \mu\text{S} / 3.93 \text{mS} = 5.14\%$.

For calculation purposes, the worst case frame length of 1 byte was used. For an 8-byte frame, the overhead is reduced to 4.5%.

Example 2: A frame of 1 byte being received.

Total time for break/synch: This is the sum of the time taken in the synchro break ISR and inside the bit time counter ISR.

Time taken in synchro break ISR = 36 μ S.

Time taken inside the bit time counter ISR = $14 * 2.63 \mu\text{S} = 36.82 \mu\text{S}$.

Transmission: 1 synch byte, data byte and checksum. Total time is time taken by the TX ISR and the TX bit time counter ISR.

Time taken by TX ISR = $1 * 2.42 \mu\text{S} = 2.42 \mu\text{S}$.

Time taken by bit time ISR = $10 * 2.7 \mu\text{S} = 27 \mu\text{S}$.

Reception: 1 data byte.

Time taken by RX ISR = $1 * 3.96 \mu\text{S} = 3.96 \mu\text{S}$.

Time taken by RX bit time counter ISR = $4 * 1.13 \mu\text{S} = 4.52 \mu\text{S}$.

Frame reception complete during checksum byte = 69.96 μ S. (The RX ISR time during checksum byte is different.)

Total time = 180.68 μ S.

Total bits in frame = 54.

Total frame time = $1.4 * 54 * 1/19.2\text{K} = 3.93 \text{mS}$.

Overall CPU Overhead = $180.68 \mu\text{S} / 3.93 \text{mS} = 4.59\%$.

For calculation purposes, the worst case frame length of 1 byte was used. For an 8-byte frame, the overhead will come down to 2.5%.

3.8.3 Maximum Interrupt Latency

This is the maximum latency the LIN node can cause in an application. Using the above table, the maximum time taken inside the ISR is in the RX ISR when a slave response was received and this value is 74 μ S. Take this value into consideration when the interrupts of the main application are designed/analyzed.

4. Slave Design IP



4.1 Software Architecture

4.1.1 Overview

The software architecture maximizes interrupt processing to minimize the processing overhead on the end application. All processing of the current message using the configurations is performed at the interrupt level. Each stage is designed as a state machine and at completion, unloads itself and loads in the next required configuration to propagate the message to completion via LIN message protocol sequence. Each processed message is identified by the identifier byte in the header. The identifier is defined by the agreed master-slave relationship in the LIN description file (LDF). See the example LDF in section 5, [LIN Description File \(LDF\) on page 43](#).

Each slave node establishes a message table that defines the set of identifiers that it will process. The slave has two such tables. One is the Message ID table and the other is the Protected ID table. For each entry in the Message ID table, there is an associated entry in the Protected ID table. This table has details of protected ID, data direction (TX or RX), event-triggered frames, data count, and the pointer to the buffer to receive data into or transmit data from. Initially, when the device is programmed, the protected ID for each entry is made 0xFF. When the node is connected to a LIN cluster and when node configuration is carried out, the protected IDs are updated with the configured values.

For an identifier that specifies the receipt of data, the slave device places the data received in the associated buffer. For an identifier that specifies the transmission of data, the slave device transmits the data to the LIN bus at the baud rate used by the master, from the associated data buffer. For slave-to-slave communication facilitated by the master device, an agreed upon identifier causes a transmit response from one slave and receive response from another slave. Update the data buffers for each frame in the foreground process by the main application. This is done by using the corresponding core API functions. The first byte of each data buffer is used as a status byte for the frame. This byte is used by event-triggered frames to indicate if a signal was updated and if the frame must be sent. In diagnostic frames, this byte is used to indicate whether or not to transmit a slave response.

4.1.2 Foreground Processing

The main process must initialize the LIN function and then perform the actual application. The main process should continuously read the status of the LIN transaction using the `_read_status` function and check if a frame was received from the master and process accordingly. The foreground process is to update the frames to transmit. It also should check if the go to sleep flag was set by the LIN firmware. If yes, it needs to switch off all the resources and enter the sleep state. Functions for entering sleep state and waiting for the wakeup call from the master are provided in the ***LowPowerManagement.c*** file.

4.1.3 Timing and Interrupts

Because automotive applications are often real-time driven, the LIN driver only makes use of interrupts, with no active loop or blocking functions. Overhead measurements made on a LIN bus with messages transferred at 19200 bauds and PSoC CPU running at 24 MHz, show a 0% overhead between messages, and a maximum overhead of 8% while sending or receiving messages. Refer to [Time Study on page 40](#) for details.

The LIN slave design leverages interrupts to maximize idle time between transmitted and received data bits. When the LIN bus is idle, no LIN slave associated interrupts are invoked. When the LIN master initiates a message protocol, the slave GPIO interrupt is triggered to initiate the reception and processing of the LIN message transmitted on the bus. At a minimum, all LIN slaves synchronize to the synch break header and receive the identifier. For slaves in which the identifier requires action, the specific slave responds appropriately as agreed to by the definition of the identifier byte. In slaves for whom the identifier does not require any action, the following bytes of the frame are received and discarded. When the frame completion is detected by a receiver timeout, the slaves are re-initialized to receive the break field of the next frame. This minimal interrupt consumes less than 3% of CPU overhead. Since the LIN bus is asynchronous,

all slaves are required to monitor the bus at all times in preparation for the next message.

4.2 Device Configuration

The LIN slave design has two configurations, the Synchro Reception Configuration and the Data Reception Configuration. The Synchro Reception Configuration detects the break/synch signal and calculates the master's bit rate. The Data Reception Configuration receives the protected identifier, decodes it and then either receives data from the master or sends a response to the master.

4.2.1 Synchro Reception Configuration

Figure 4-1 shows the module placement for the Synchro Reception Configuration. This configuration has one 16-bit timer to find the timings between the rising and falling edges of the break/synch signal and one 16-bit counter for timeout operation. The RX pin is routed to the capture input of the timer and configured to capture either rising edge or the falling edge of the input signal. Also, the GPIO interrupt is enabled and all the calculations take place inside the GPIO ISR.



Figure 4-1. Synchro Reception Configuration

4.2.2 Data Reception Configuration

Figure 4-2 shows the module placement for the Data Reception Configuration. This has one 8-bit counter that generates the baud rate, one 8-bit counter that generates interrupts at bit time to either detect timeouts while receiving data or to check bit errors while transmitting data, one RX8 User Module that receives data, and one TX8 User Module that transmits data. The baud rate generator is configured according to the bit rate calculated during the break/synch detection stage. During data reception, the bit time counter generates an interrupt every five bit times and a timeout counter is decremented. If the frame is not completed within this timeout (if the master stops transmitting), the Synchro Reception Configuration is loaded. When transmitting, this timer generates an interrupt every bit time. Inside the bit time counter ISR, the states of TX and RX pins are compared. If they do not match, then it is taken as a bit error and the transmission is aborted and the Synchro Reception Configuration is reloaded.



Figure 4-2. Data Reception Configuration

4.3 Firmware

4.3.1 Overview

Once the foreground process calls the `L_sys_init` function and starts the LIN firmware, all other operations take place in the background inside ISRs. There are no blocking functions in the LIN APIs, so that the main application runs in the foreground. There are five different interrupts that are processed inside the LIN firmware. Depending upon the active state, some of these interrupts are active. The code inside each of these ISRs is commented so that it is easy to understand the operation. A brief description of each ISR is given below.

4.3.2 GPIO Interrupt

This interrupt is active during the Synchro Reception Configuration. The break/synch field detection/decoding takes place inside this ISR. This ISR is managed as a state machine that has eight states.

- A. Default State:** Initially, when the Synchro Reception Configuration is loaded, the GPIO interrupt is configured to a falling edge interrupt and the timer capture is enabled upon the falling edge of input. The state machine is initialized to "Wait for Dominant Break."
- B. Wait For Dominant Break:** When the falling edge of the break signal is detected, this state is entered. Here, the count latched to the compare register, due to the capture of the timer, and is read into a temporary register. Then the timer capture is configured to occur upon rising edge of input. The GPIO is configured as a rising edge interrupt. The state machine is initialized to "Wait for Recessive Break."
- C. Wait for Recessive Break:** When the rising edge of the break signal is detected, this state is entered. Here, the count latched to the compare register of the timer during capture is read and the difference between this count and the previously recorded count (during falling edge of break) is found. This gives the time of the break field. This value is stored in a variable to be processed later. The timer is configured to capture upon falling edge and the GPIO is configured as a falling edge interrupt. The state machine is updated to "Wait for Synchro Field."
- D. Wait For Synchro Field:** When the falling edge of the start bit of the synchro field is detected, this state is entered. Here, the compare register of the timer is read

and backed up. The state machine is updated as “Wait For Falling Edge 1.”

- E. Wait For Falling Edge 1:** When the first falling edge of the synch byte is detected, this state is entered. Here the compare register of the timer is read, and the difference between the current value and the value on the start bit of the synch byte is found. This equals two bit times. Then two more values are calculated from the two bit times that are $\pm 6.25\%$ of the measured two bit times. These values are used to compare the two bit times measured during the second, third and fourth falling edges of the synch field. This comparison is to make sure that a 0x55 is transmitted as a synch field. Any other value transmitted as a synch field will not be within the limits of the two bit times and the break/synch field will be considered invalid. After this, the state machine is updated to “Wait For Falling Edge 2.”
- F. Wait For Falling Edge 2:** When the second falling edge of the synch byte is detected, this state is entered. Here, the time difference between the current falling edge and the previous edge is calculated and compared with the minimum and maximum two bit-time values calculated during the previous state. If the value is within the limits, the state is updated to “Wait For Falling Edge 3,” else, the synchro reception variables are all reset and the firmware gets ready to detect a new break/synch field.
- G. Wait For Falling Edge 3:** When the third falling edge of the synch byte is detected, this state is entered. Here, the time difference between the current falling edge and the previous edge is calculated and compared with the minimum and maximum two bit-time values calculated during the first falling edge. If the value is within the limits, the state is updated to “Wait For Falling Edge 4,” else, the synchro reception variables are all reset and the firmware gets ready to detect a new break/synch field.
- H. Wait For Falling Edge 4:** When the fourth falling edge of the synch byte is detected, this state is entered. Here, the time difference between the current falling edge and the previous edge is calculated and compared with the minimum and maximum two bit-time values calculated during the first falling edge. If the value is within the limits, then the difference between the timer count value of this falling edge and the timer count value backed up during the start bit of the synch field is calculated. This value is divided by eight to find out the bit time. Dividing this further by eight gives the counter value to be loaded to the baud rate generator. Then the bit time is multiplied by 13 and the already stored break time is compared with this to check if the break field is at least 13 bit times. If this condition is satisfied, then the Data Reception Configuration is loaded.

4.3.3 Synchro Timer Interrupt

The synchro timer interrupt has two functions.

- **Bus Idle Detection:** When there is no activity on the bus, this interrupt is used to detect the bus idle timeout and set the sleep flag. The specification says that if there

is no activity on the bus for four seconds, the slaves enter sleep state.

- **Break/Synch Timeout:** When break/synch detection is taking place, this interrupt is used to timeout the operation, in case the break/synch field does not complete. If this timeout were not provided, the firmware would enter an infinite loop waiting for the break/synch to complete.

4.3.4 Synchro Timeout Interrupt

The synchro timeout counter interrupt is used to detect a timeout condition during the break/synch detection state. When a break signal is received and its length found, the same length is used to set the timeout duration. So if a break is not followed by the synch field within the 13 bit times, the state machine is reset to detect a break signal again. This timeout is also useful in the case when a slave is switched on in the midst of a LIN frame. What happens is the slave starts considering the data bits of the ongoing frame as the break field. Under this condition, if the last bit of the frame is considered by the slave as the break, then the actual break of the next frame is treated as the first falling edge of the synch byte, which results in that frame being missed. In this event, this timeout resets the state machine and correctly synchronizes the slave to the next break signal.

4.3.5 RX Interrupt

When a valid break/synch field is detected and the bit rate calculations are done, the Data Reception Configuration is loaded and the RX8 interrupt is enabled. Any data received on the bus generates an interrupt and the received data is processed inside this ISR. There are three states inside this ISR.

- **Receiving and Decoding the Protected ID:** The first data received after the break/synch field is the protected ID. When the protected ID is received, the ExtractID function is called to check if the protected ID is present in the ID table. This function parses through the ID table present in the E2PROM area in the Flash. If it finds the ID in the table, it updates the related parameters including data count, buffer pointer, and data transfer direction (master to slave or slave to master). It also checks if the received protected ID is a master request or a slave response ID. If it is either of these, then it initializes the proper variables to carry out these operations.
- **Processing Received Data:** When all the data indicated by the data counter have been received, the received data is processed. First, the checksum of the received data is checked. If the protected ID is greater than or equal to 60 (0x3C), classic checksum is used. For all other IDs, extended checksum is used. If there is an error in checksum, then proper error bits are set and the whole data is discarded. If the checksum matches, then the received data is transferred to the corresponding buffer pointed to by the buffer pointer variable. Then proper bits are set to indicate a successful transfer. If the protected ID is a master request, the master request is processed. When all these operations are completed,

the Synchro Reception Configuration is loaded to receive the next frame.

- **Waiting for Frame Completion:** If, in the first step of decoding the protected ID, it is found that the ID is not present in the ID table, then the node should wait for the present frame to complete. Every time a data is received on the bus (either from master or from some other node), a timeout counter is initialized to 15. The received data is discarded. The timeout counter will be decremented inside the bit time counter ISR. When this count becomes zero, it means that no data have been received for 15 bit times, which in turn indicates that the current frame is completed and the Synchro Reception Configuration is loaded inside the bit time counter ISR to wait for the next frame.

4.3.6 TX Interrupt

When the protected ID is decoded inside the RX ISR and the slave has to transmit a response to the master or to another slave, the Data Transmission Configuration is loaded. (This is not a physical reloadable configuration, but a re-organization of the Data Reception Configuration in the firmware to transmit a slave response.) For CY8C27x43 and CY8C29x66 device families, a separate digital block is used for TX. To reduce digital block usage in the CY8C21x34 design, the same digital block used for RX is reconfigured into TX.

The RX ISR also updates the data counter and the buffer pointer. The TX8 interrupt is enabled and the first byte of the response is written to the TX buffer. At this time, the bit time counter is initialized to generate an interrupt every bit time. This interrupt is used to check if the TX and RX bits are the same. After this, every time the TX buffer is empty, an interrupt is generated and the next byte of the response is written to the TX buffer. When all the bytes have been sent, the LastByteSent flag is set.

4.3.7 Bit Timer Interrupt

The bit time interrupt is used in both the data reception and data transmission states.

Data Reception: When data reception is taking place, the bit time counter is configured to generate an interrupt every five bit times. Inside the ISR, a timeout counter is decremented. This timeout counter is initialized in the protected ID decode function after finding out the number of bytes to be received. This value is 1.4 times the actual number of bits to receive. So during normal operation, before this counter becomes zero, the frame completes and the Synchro Reception Configuration is loaded by the RX ISR. But if, due to some fault, the bus activity stops and after the set number of bits the timeout counter becomes zero, the Synchro Reception Configuration is loaded.

Data Transmission: When data transmission is underway, this ISR is used to detect bit errors. The bit time counter is configured to generate an interrupt every bit time. When the interrupt is generated, the state of the TX and RX pins is

compared. If the states are the same, then there is no bit error. But if these two pins are at a different states, there is a bit error. Upon detection of the bit error, the TX8 User Module is stopped and the Synchro Reception Configuration is loaded.

4.4 LIN Source Code Files

Lin20CoreAPI.asm: This file contains the functions for the LIN core APIs.

Lin20PhysicalLayer.asm: This file contains the code related to the proper operation of the LIN firmware. It has all the ISRs described in section 4.3, [Firmware on page 32](#).

MathUtilities.asm: This file has the math functions used by the LIN firmware.

RamVariables.asm: This file contains the variable allocations.

SignalTable.asm: This file has the Message table and the Protected ID table. It must be modified according to the specifications in the LDF.

LinPowerManagement.c: This file has the functions that are required for the go to sleep and wakeup operations of LIN.

4.5 Header Files

Lin20CoreAPI.h: This file contains the function prototypes for the *Lin20CoreAPI.asm* file.

Lin20Defines.h: This file has the variable types defined in the LIN specifications.

Lin20Slave.h: This file has the definitions of different constants and flags used in the firmware.

LinPowerManagement.h: This file has the function prototypes used by the *LinPowerManagement.c* file.

SignalTable.h: This file has declarations of the signal buffers and frame names used in the *SignalTable.asm* file.

Lin20Slave.inc: This file contains the definitions of all the constants and flags used by the *Lin20PhysicalLayer.asm* file.

NodeInformation.inc: This file has definitions of constants relating to the product ID of the node. Such constants include serial number, product ID, manufacturer's ID, variant, number of messages supported by node, etc.

When using the source code and header files, modify the following files according to information in the LDF.

SignalTable.asm
SignalTable.h
NodeInformation.inc

4.6 Using the Design IP

Follow these steps to create a LIN slave node using the Design IP.

4.6.1 Importing the Design

There are two possible ways to import the design. One is to create a new project and use the design-based project option. The other way is to create your project and then import the design using the Design Browser. The best method is to create a new design-based project.

1. Select File >> New Project >> Create Design-Based Project.
2. Select the directory in which to create the project files.
3. Select the directory and name for a project.
4. The Design Browser opens. The Design Browser has two windows. The window on the left side is the Design Browser itself where you select the design. The window on the right side shows the data sheet for the selected design. On the top of the Design Browser window there are two radio buttons that select between "Browse File System" and "Select From Design Catalog." Click the "Browse File System" option. Navigate to the "\Design IP\LinSlaveNode" directory on the CD, and open the folder corresponding to the device that you want to use. Then select the .cfg file in this directory. Now the data sheet window on the right shows the data sheet of the LIN slave design.
There are two designs available for the CY8C21x34 device. The Lin20_Slave_21x34_2DB design uses only 2 digital blocks for the design, but uses VC3 for generating the baud clock. Choose this design if you require more digital blocks for your main application. As VC3 is used by LIN 2.0, this design cannot implement an ADC in the main application. If an ADC is desired in the main application, use the Lin20_Slave_21x34_3DB design. This design uses 3 digital blocks for the LIN and VC3 is not used. Therefore, an ADC may be placed in the main application.
5. Below the Design Browser window, there are two radio buttons, "Overwrite configurations with same name" and "Resolve configuration name conflicts." Use these options when importing a design into an already-existing project and if some of the configurations from the existing project have the same name as that of the imported design.
6. In the configurations list, locate the Synchro Reception and Data Reception configurations.
7. Click **OK**.
8. In the Device Selection window, select the device to use in your project.
9. Select "Generate main file using C."
10. Select Device Editor as the Designer State to proceed to.
11. Click **Finish**.
12. A Design Import Status window opens and displays the import status.

13. When the design is imported, the PSoC Designer opens the Device Editor configuration.
14. You should see three configurations. The base configuration with your project name, the Synchro Reception Configuration and the Data Reception Configuration.
15. Go to Project >> Settings, Device Editor tab. In the configuration initialization type, select "Direct Write (Speed Efficient)."
16. Switch to the base configuration and select all the user modules to include in your main application.

4.6.2 Configuring Global Resources

Switch to the Interconnect View and select the base configuration. The first step is to configure all the global resources related to the LIN design. Remember that whatever changes you make to the base configuration are reflected in the other reloadable configurations.

1. Set CPU speed to 24 MHz. (Set the CPU speed to 12 MHz for the CY8C27x43 automotive grade device.)
2. Set VC3 source to SysClk/1.
3. Set VC3 divider to 6.

These are the only three global resources that are required for the LIN. You set all the other resources according to the requirements of your main application.

4.6.3 Configuring GPIO

The next step is to decide the TX and RX pins of your LIN bus and to properly select their drive modes in all the configurations. Follow these steps carefully.

1. Switch to the base configuration. Use the Config >> Restore default pinout. All the pins in the GPIO configuration pane become StdCPU, High Z Analog, DisableInt. Now repeat this step for the Synchro Reception and Data Reception configurations also.
2. In the GPIO configuration pane, rename the port pin that you want as Rx to "RX." Then rename the pin that you want to be the Tx as "TX." Type these names in capital letters.
3. In the Select column of the RX pin, select the GlobalInOdd_x or GlobalInEven_x. The drive mode automatically becomes High Z.
4. In the Select column of the TX pin, select the GlobalOutOdd_x or GlobalOutEven_x. The drive mode automatically becomes Strong.
5. Switch to Synchro Reception and Data Reception configurations and confirm that these changes are reflected in both configurations.
6. Switch to Synchro Reception Configuration. Change the TX pin to StdCPU, High Z.
7. Change the interrupt mode of the RX pin to Change-FromRead.

The GPIO configuration is complete. After this, you modify the GPIO of the other port pins according to your project requirements. Whenever a modification is done in the base configuration, the same configuration is updated in the Synchro Reception and Data Reception configurations, so that

regardless of which configuration is active, the GPIO state of your main application is maintained. When you complete this process, the TX and RX pins configuration looks like the information in this table:

Table 4-1. TX Pin

Configuration	Name	Port	Select	Drive	Interrupt
Base	TX	As selected	GlobalOut	Strong	DisableInt
Synchro Reception	TX	As selected	StdCPU	High Z	DisableInt
Data Reception	TX	As selected	GlobalOut	Strong	DisableInt

Table 4-2. RX Pin

Configuration	Name	Port	Select	Drive	Interrupt
Base	RX	As selected	GlobalIn	High Z	DisableInt
Synchro Reception	RX	As selected	GlobalIn	High Z	Change-FromRead
Data Reception	RX	As selected	GlobalIn	High Z	DisableInt

4.6.4 Routing the Signals

The next step is to route the signals to the digital blocks of the LIN configurations.

1. Switch to Synchro Reception Configuration.
2. Route the RX Global_Input net to an appropriate Row_1_Input_x line.
3. Select “Async” inside the Sync select square.
4. Select this Row_1_Input_x as the Capture input of the Synchro_timer.
5. Switch to Data Reception Configuration.
6. Route the RX Global_Input net to the same Row_1_Input_x net selected in the Synchro Reception Configuration.
7. Select “Async” inside the Sync select square.
8. Select this Row_1_Input_x as the input to the RX8 User Module.
9. Route the output of the TX8 User Module through an appropriate Row_1_Output_x line to the TX Global_Output net.
10. Switch to the base configuration
11. Make the connection between the Global_Input net and the Row_1_Input_x net as done in the Data Reception Configuration.
12. Make the connection between the Row_1_Output_x net and the Global_Output net in the Data Reception Configuration.

With this routing of signals, the hardware configuration is complete.

Note that in the LIN design for the CY8C21x34 family, the same digital block used for RX8 is reconfigured into TX8 in software during data transmission. So while using the CY8C21x34 family, decide which Row Output net in which to route the TX signal to a Global Out bus. Connect the output of that Row Output net to the required Global Out bus in the Data Reception Configuration and connect the Global Out bus to the TX pin. Then, in the *lin20slave.inc* header file, set

the appropriate ROW_OUTPUT_x equate to 1. While the Data Reception Configuration is loaded, the RX8 block is configured into a TX8 block and the primary output is connected to the specified Row Output net.

4.6.5 Configuring the Signal Table

You must configure the frames that belong to the slave. This is done in the *signaltable.asm* file using the node capability file or the LDF in which this node is described. For this example, refer to the LDF provided in section 5, [LIN Description File \(LDF\) on page 43](#).

This example configures the slave CPM. As described in the LDF file, this slave has three frames.

- VL1_CEM_Frm1: This frame is published by the master and is subscribed to by this slave. The message ID of this frame is 0x1001. The length of this frame is eight bytes.
- VL1_CPM_Frm1: This frame is published by this slave and is subscribed to by the master. The message ID of this frame is 0x1002. The length of this frame is two bytes.
- VL1_CPM_Frm2: This frame is published by this slave and is subscribed to by the master. The message ID of this frame is 0x1003. The length of this frame is one byte.

4.6.5.1 RAM Allocation

First, the buffers for these frames are allocated in RAM. A name is given to each frame and the buffer is named as Buffer<FrameName>. In our example, name the frames as Frame1, Frame2 and Frame3. The buffers for these frames are BufferFrame1, BufferFrame2, BufferFrame3. When allocating RAM, one extra byte is allocated for each frame. This byte is used as the status byte of that particular frame. The LIN firmware updates the transaction status of each frame in this byte. This byte also has the flag that indicates if a particular frame carries the Response_Error bit. This byte is the first byte of the array. Apart from these buffers, there is another buffer used by the LIN firmware for diagnostic frames. This buffer is named as “abDiagBuffer.” Because this buffer is only used during node configuration, it reuses the same RAM location used by other frames. In the example below, the abDiagBuffer reuses the RAM of BufferFrame1. If the application requires the frame signals preserved during node configuration, then allocate nine bytes for this buffer. If the total RAM for all the signals is less than nine bytes, then also allocate nine bytes for the abDiagBuffer.

```
_abDiagBuffer:
abDiagBuffer:
_BufferFrame1:
BufferFrame1:   blk 9
_BufferFrame2:
BufferFrame2:   blk 3
_BufferFrame2:
BufferFrame2:   blk 2
```

4.6.6 Frame Definition

You now define the frames. There are two tables in this file. One is the MESSAGE_ID_TABLE and the other is the ID_TABLE. Type the message ID list in the MESSAGE_ID table. Type these three messages in sequence:

```
MESSAGE_ID_TABLE:
dw 0x1001
dw 0x1002
dw 0x1003
```

After updating the MESSAGE_ID_TABLE, open the *NodeInformation.inc* file and update the MESSAGE_COUNT constant with the number of entries in the MESSAGE_ID table.

You must type the frame details in the same sequence in the ID_TABLE. There are four entries for each frame in the ID_TABLE.

Protected ID: This entry is for the protected ID for the particular frame. In LIN 2.0 slaves, the protected ID is allocated by the master during node configuration. So when creating the project, this should be left as 0xFF.

Data Direction: This entry indicates the direction of the data flow. MASTER_TO_SLAVE indicates that the slave has to receive data from the master and SLAVE_TO_MASTER indicates that the slave has to transmit a response to the master. This entry also is used to indicate if the frame is event triggered. In case of event-triggered frames, the entry is SLAVE_TO_MASTER | EVENT_TRIGGERED. This indicates that the data direction is from slave to master and the frame is also an event-triggered frame.

Buffer Pointer. This entry is the pointer to the buffer for this frame that is reserved in RAM. Just enter the name of the buffer allocated for that frame in this entry. The compiler will translate this to the RAM address and create the table.

Data Count. This entry indicates the length of data carried by this frame.

The ID_TABLE for this example is listed here:

```
ID_TABLE:

_Frame1:
Frame1:
    db          0xFF
    db          MASTER_TO_SLAVE
    db          BufferFrame1
    db          8

_Frame2:
Frame2:
    db          0xFF
    db          SLAVE_TO_MASTER
    db          BufferFrame2
    db          2

_Frame3:
Frame3:
    db          0xFF
    db          SLAVE_TO_MASTER
```

```
db          BufferFrame3
db          1
```

You fill the remaining records of the ID table with 0xFF. The ID table holds 16 records. In our example, three of them are filled. So fill the remaining 13 records with four entries of 0xFF.

```
db          0xFF, 0xFF, 0xFF, 0xFF
```

4.6.7 Response_Error Bit Definition

You now define the response error bit mask. The mask is defined according to the bit number that carries the response error bit. In the example, bit 7 carries the response error bit. So the mask is 0x80. This mask is defined in both the *Lin20Slave.inc* and *Lin20Slave.h* files. Using this feature is explained ahead in [Adding the Main Application on page 37](#).

4.6.8 Node Information

The details of the node are configured in the *NodeInformation.inc* file. Modify the constants for the supplier ID, function ID, variant and the node serial number according to the node's specifications. For example, review the Node CPM in section 5, [Example Project for Slave 1 \(CPM\) on page 52](#).

The Manufacturer's ID is 0x1234
The Function ID is 0x2345
The Variant is 0x00

The corresponding constants for these parameters in *NodeInformation.inc* is:

```
SUPPLIER_ID_MSB: equ 0x12; Manufacturer's
Id MSB
SUPPLIER_ID_LSB: equ 0x34; Manufacturer's
Id LSB
FUNCTION_ID_MSB: equ 0x23; Product Id MSB
FUNCTION_ID_LSB: equ 0x45; Product Id LSB
VARIANT:         equ 0x00; Variant
```

Then modify the serial number constants to match the 4-byte serial number of the node. For a serial number of 0xAA597142, the constants for the serial number are:

```
SERIAL3:         equ 0xAA; MSB of Serial
Number
SERIAL2:         equ 0x59
SERIAL1:         equ 0x71
SERIAL0:         equ 0x42; LSB of Serial
Number
```

Also modify the message count parameter with the number of messages supported by the slave. As described in the LDF, the node CPM supports three frames, so the constant for the message count is:

```
MESSAGE_COUNT:  equ 0x03; Number of
messages supported by the Node
```

4.6.9 Adding the Main Application

Now the LIN 2.0 slave node is configured and you can add the main application. Follow the normal procedure of build-

ing an application using PSoC Designer. Place the user modules in the base configuration, finish the routing, and generate application.

In the *main.c* file, follow these steps to properly start the LIN firmware and to update the LIN frames.

1. Call the `I_sys_init` function to initialize the LIN function.
2. Assign an NAD to the slave node. Though the LDF is able to list different possible NADs for any slave, the initially configured NAD must be decided by the main application.
3. Enable the global interrupts using the `M8C_EnableGInt` macro.
4. Write a 0 to the first byte of all the frame buffers. This is to clear the status bytes of the buffers.
5. Inside an infinite loop add the code for your application.
6. Check the `bfLAST_TRANSACTION_OK` flag in the first byte of each frame buffer to determine if the frame was received successfully, and process the received data. Refer to the example code in section 5, [Demonstration Projects on page 43](#).
7. Continue to update the frames that transmit data to the master.
8. When updating the frame that contains the response error bit, check the `bResponseError` variable, and set the response error bit if the `bResponseError` variable is a non-zero value.

4.6.10 Special Features

4.6.10.1 Power Management

According to the LIN 2.0 specification, if the bus is idle for four seconds or if the master issues a sleep command, the slave enters the sleep state. For this, there are some functions included in the *LinPowerManagement.c* file. In the main function, periodically check if the `GoToSleep` bit in the LIN status register has been set. This register is accessed by calling the `I_read_status` function in the core API. If the `GoToSleep` bit is set, then call the go to sleep function in the main application. This function is a blocking function. The function in turn calls these three functions.

- **ShutdownLin:** This function properly stops all the active LIN resources and makes the pins High Z so that the processor enters a low-power state. Inside this function, there is an area where the user must enter code to stop all the resources used by the main application. Also, if the main application uses analog resources, including analog reference and analog buffers, you must turn them off to minimize current consumption during sleep state. This function also disables all the interrupts except the GPIO interrupt.
- **SleepLoop:** When this function is entered, the `M8C_Sleep` macro is executed to put the processor to sleep. Once the processor is put to sleep, it wakes up only upon an interrupt. Because all interrupts except the GPIO interrupt are disabled, when the master or some other slave in the cluster issues a wakeup command (dominant state for a time of 250 μ S to 5 mS), the processor wakes up and enters a loop where it waits for the

bus to go to recessive state. When this happens, it checks the length of the dominant state. If this length is within the specified limit, it returns from this function. If the dominant state is less than 250 μ S or if the state does not become recessive for more than 5 mS, the processor is put to sleep again.

- **RestartLin:** This function restores the processor to the original configuration and also restarts the LIN function. This function has a marked area where the user can add code to start the resources required for the main application.

4.6.10.2 Node Configuration

One very important feature of LIN 2.0 is the node configuration. This feature is used to set up nodes in a cluster. It is a tool to avoid conflicts between slave nodes when using off-the-shelf slave nodes. Configuration is done by having a large address space consisting of a message ID per frame, a LIN product identification by slave node and an initial NAD by slave node. Using these numbers, it is possible to map unique frame identifiers to all frames transported in a bus. In the PSoC slave IP during initial programming, all the protected IDs for all the frames are made 0xFF. The slave supports 16 frames. Each frame has four entries and the first entry is the protected ID. This Frame table resides in the last page of the Flash from address 0x3FC0. During node configuration, the protected ID of the relevant frame is updated by writing to the Flash. After one configuration, the Flash retains the configuration. To prevent frequent unwanted writes to the Flash, each time a node configuration command is executed, the new ID is compared with the ID present in the table. If they are found to be the same, then the write to the Flash is skipped. Thus, a Flash write takes place only when the protected ID is to be changed, for instance when the node is removed and put into another cluster.

There is one design limitation you must take care of when using the internal Flash to store the Protected ID table. To update the protected ID in the Flash, you must do a partial write of the Flash. This requires about 104 bytes on the stack and the area 0xF8 to 0xFF in the upper area of RAM. So this limits the amount of RAM that is available for the user program. About 42 bytes are used by LIN variables and the 'C' virtual registers. Add the 104 bytes of stack usage for E2PROM, and the 8 bytes of upper RAM area and about 30 bytes of stack for normal program use. This leaves only about 72 bytes of RAM available for the user program including the Frame buffers. Of course, this limit only applies to devices with 256 bytes RAM. For devices with higher RAM where the stack resides in the last page, this limitation does not exist.

4.6.10.3 Implementing Event-Triggered Frames

To implement event-triggered frames, the frame must be declared as event triggered in the Signal table. This is done by performing an OR operation between the

SLAVE_TO_MASTER constant and the EVENT_TRIGGERED constant. Here is an example.

```
_Frame3:
  Frame3:
    db          0xFF
    db          SLAVE_TO_MASTER |
EVENT_TRIGGERED
    db          BufferFrame3
    db          1
```

Once a frame is declared as event triggered and the frame is due, the program checks the status register of the frame if the data is updated. A response is transmitted only if the data is updated. The main function should set the bfDATA_READY flag in the status byte. Here is a code snippet that updates the flag if there is a data change. The Frame3 is event triggered and the buffer for this frame is BufferFrame3.

```
PrevValue = PRT2DR; // Initialize Backup
value at start of main function

while(1)
{
*****
*****
Some Code
*****
*****
CurrentValue = PRT2DR;
if (PrevValue != CurrentValue)
{
    BufferFrame3[0] |=
bfDATA_READY;
    PrevValue = CurrentValue;
    // Add code to update the Frame's data
}
}
```

In this example, the PrevValue is a variable that holds some initial value present in PRT2DR. If there is a change of the state of PRT2DR, then the bfDATA_READY flag of the Frame3 status byte is set and the PrevValue variable is updated with the current value. So the next time Frame3 becomes due, it is transmitted. Also, the firmware clears the bfDATA_READY flag, so that the frame is transmitted only when this flag is set by the foreground function, which is under the condition that the signal for Frame3 has changed.

4.7 LIN 2.0 Slave Design API

The *Lin20CoreAPI.asm* file has all the library functions required for the operation of the LIN slave. This section describes each API function and includes comments about how to use the function.

l_sys_init

C Prototype: `l_u8 l_sys_init (void);`

Description: This is a dummy function included in the API for consistency with the LIN specifications.

Parameters: None.

Returns: Always 0.

l_ifc_init

C Prototype: `l_u8 l_ifc_init (void);`

Description: Initializes the LIN 2.0 slave node. Loads the Synchro Reception Configuration and initializes all the parameters. Call this function in the main function to start the LIN operation.

Parameters: None.

Returns: Zero if initialization is successful. Non zero for failure of initialization. But in this library, this function always returns a zero. The prototype has been maintained for consistency with the LIN 2.0 specification.

l_bytes_rd

C Prototype: `void l_bytes_rd (const char* l_signal_handle, l_u8 start, l_u8 count, char* data);`

Description: Reads and returns the current value of the selected bytes in the signal specified by `l_signal_handle`.

Parameters:

`l_signal_handle`: Name of the frame from which bytes have to be read.

`start`: The offset from where the bytes have to be read.

`count`: Number of counts to be read.

`data`: Buffer to which the data have to be read.

Example: For example, if you want to read two bytes from Frame1 from the third byte of the buffer to another buffer called TempBuffer, the following code is to be used:

```
l_bytes_rd(Frame1, 2, 2, TempBuffer);
```

Note that the third byte of the frame buffer will have an offset of two. That is why two was used as the offset parameter.

Returns: None.

l_bytes_wr

C Prototype: `void l_bytes_wr(const char* l_signal_handle, l_u8 start, l_u8 count, char* data);`

Description: Writes to the selected bytes the value from the specified buffer.

Parameters:

`l_signal_handle`: Name of the frame to which bytes have to be written.

`start`: The offset from where the bytes have to be written.

`count`: Number of counts to be written.

`data`: Buffer from which the data have to be copied.

Example: For example, to write two bytes to Frame1 from the first byte of the buffer from another buffer called TempBuffer, use this code:

```
l_bytes_wr(Frame1, 0, 2, TempBuffer);
```

Note that the first byte of the frame buffer has an offset of zero. That is why zero was used as the offset parameter.

Returns: None.

l_ifc_read_status

C Prototype: `l_ul6 l_ifc_read_status(void);`

Description: The call returns a 16-bit status word.

Parameters: None.

Returns: 16-bit status word.

Table 4-3.

Bit Number	Description
Bit 0	Error in Response: This bit is set whenever there is an error in the LIN transaction.
Bit 1	Successful Transfer: This bit is set when the last frame was successfully processed.
Bit 2	Overrun: This bit is set when the last status was not read before the next update.
Bit 3	Go To Sleep: This bit is set when a go to sleep command has been received. This bit is also set by the firmware when a bus idle is detected.
Bits 4 to7	
Bits 8 to 15	Last Frame Protected ID: This byte has the protected ID of the frame that was processed last.

Usage Notes: This function is used by the foreground program to monitor the LIN bus for error conditions. It is also used by the main program to check if the slave has to be put into power-down mode by checking the go to sleep bit. For example, use this code to trap any errors in the LIN bus:

```
if((char)l_ifc_read_status() &
bfSTATUS_ERROR_IN_RESPONSE)
{
    // Code to process error
}
```

l_ifc_irq_disable

C Prototype: `void l_ifc_irq_disable(void);`

Description: Disables system interrupts.

Parameters: None.

Returns: None.

l_ifc_irq_restore

C Prototype: `void l_ifc_irq_restore(void);`

Description: Restores system interrupts.

Parameters: None.

Returns: None.

l_ifc_wake_up

C Prototype: `void l_ifc_wake_up(void);`

Description: Generates a wakeup command on the bus. This function sends a 0xF0 on the Lin bus, which will simulate a wakeup call.

Parameters: None.

Returns: None.

4.8 Time Study

4.8.1 ISR and Function Timing

The following tables list the time taken by some of the important branches of ISRs in the LIN slave node IP. The CPU overload for various conditions is roughly computed using these tables.

Note that the times indicated are approximate and may change during future revisions of the firmware.

Table 4-4. GPIO Interrupt

Sl. No.	Stage	No. Of Cycles	Time(μ S)
1	Dominant Break	264	11.00
2	Recessive Break	325	13.54
3	Synchro Field Start	224	9.33
4	Falling Edge 1	351	14.63
5	Falling Edge 2	296	12.33
6	Falling Edge 3	296	12.33
7	Falling Edge 4	3618	150.75
8	Total Time for Break/Synch		223.92

Table 4-5. Rx Interrupt

Sl. No.	Stage	No. Of Cycles	Time(μ S)
1	Known ID received, TX initialized	940	39.17
2	Unknown ID received	1103	45.96
3	Known ID received, RX initialized	390	16.25
4	Frame reception complete	1747	72.79
5	One data byte received	159	6.63

Table 4-6. TxInterrupt

Sl. No.	Stage	No. Of Cycles	Time(μ S)
1	When a byte has been sent	166	6.92
2	When last byte has been sent	130	5.42

Table 4-7. TxBitTimerInterrupt

Sl. No.	Stage	No. Of Cycles	Time(μ S)
1	All bytes transmitted	1200	50.00

Table 4-8. Other Functions

Sl. No.	Stage	No. Of Cycles	Time(μ S)
1	LoadSynchroReceptionConfiguration	790	32.92
2	LoadDataReceptionConfiguration	768	32.00
3	LoadDataTransmissionConfiguration	153	6.38

The overall CPU overhead for a frame is calculated by adding all the time components for a frame and then finding the fraction on the total frame time. Remember, this method only provides the overall overhead. At some instances, the CPU overhead is quite high, especially inside the GPIO ISR. As a result, calculate the CPU overhead taking into account the time between successive interrupts and the time taken inside any particular branch of the GPIO ISR.

4.8.2 Calculation of CPU Overhead Over a Frame

These calculations are based upon a baud rate of 19.2 kbps and CPU speed of 24 MHz. For lower baud rates, the CPU overhead is less.

Example 1: A frame of 1 byte being received.

Total time for Break/Synch = 224 μ S.

Known ID received, RX initialized = 16 μ S.

1 byte to received = 7 μ S.

Frame reception complete (checksum received) = 73 μ S.

Total time = 320 μ S.

Total bits in frame = 54.

Total frame time = $1.4 * 54 * 1/19.2K = 3.93$ mS.

Overall CPU overhead = $320 \mu\text{S} / 3.93 \text{ mS} = 8.14\%$.

For calculation, the worst case frame length of 1 byte was used. For an 8-byte frame, the overhead is reduced to 4%.

Example 2: A frame of 1 byte being transmitted

Total time for Break/Synch = 224 μ S.

Known ID received, TX initialized = 39 μ S.

2 bytes to be transmitted (1 byte + checksum) = $2 * \text{Single byte transmitted} = 14 \mu\text{S}$.

All bytes transmitted = 50 μ S.

Total time = 327 μ S.

Total bits in frame = 54.

Total frame time = $1.4 * 54 * 1/19.2K = 3.93$ mS.

Overall CPU overhead = $327 \mu\text{S} / 3.93 \text{ mS} = 8.32\%$.

For calculation, the worst case frame length of 1 byte was used. For an 8-byte frame, the overhead is reduced to 4%.

4.8.3 Maximum Interrupt Latency

This is the maximum latency the LIN node causes in an application. Using the information listed in the tables section 4.8.1, the maximum time taken inside the ISR is in the GPIO ISR when the fourth falling edge was received and this value is 150 μ S. Take this value into consideration when the interrupts of the main application are designed or analyzed.

5. Demonstration Projects



5.1 Introduction

The LIN reference design board comes with three PsoC devices:

- Master
- Slave 1
- Slave 2

The master and slave 1 are implemented with 28-pin CY8C27443-PXI devices and slave 2 is implemented with an 8-pin CY8C27143-PXI device.

Note that the CD-ROM that is included with this design has all project files for the designed-in devices as well as project files for automotive grade devices.

Periodically, the master node sends its switch state information to slave 1 and then polls both slaves for their switch state information. In response, the master and slaves display the state of the information as specified by the switch-to-display relationship. When the master sends its switch status to slave 1, slave 1 updates its LEDs with this information. The master updates LED 1 to LED 4 with the switch status of SW8-SW5 of slave 1. The master updates LEDs 5 and 6 with switch status of SW1 and SW2 of slave 2. Also, the master transmits the status of SW2 and SW1 of slave 1 to slave 2 so that slave 2 can control LEDs 1 and 2.

SW2 status of slave 1 for slave 2 to control the blinking LEDs), VL1_CPM_Frm1 (carries the resistance information from slave 1 and the Response_Error bit), VL1_CPM_Frm2 (carries switch status of slave 1), and VL1_DIA_Frm1 (carries switch status of slave 2).

5. The Node Attributes section describes the slaves present in the network. Details including LIN version, NAD, product ID, etc. are described here.
6. The Schedule Table section defines the schedules that will be executed in the network. The Schedule table in the master project will be based on this information.

5.2 LIN Description File (LDF)

5.2.1 Description

1. The LIN version is 2.0 and the baud rate is 19.2 kbps.
2. The Nodes section describes the names of the master and the nodes present in the network. Master is named as CEM. Slave 1 is named as CPM and slave 2 as DIA.
3. The Signals section describes the name of each signal, its length in bits, the publishing node and the subscribing node(s).
4. The Dynamic Frames section describes each frame that is transmitted in the network, the length of the frame, the signals that the frame carries and the offset of each signal in this frame. The frames used in the network are VL1_CE1_Frm1 (carries the switch status of the master), VL1_CEM_Frm2 (carries information of SW1 and

5.2.2 Example LDF

LIN Description File Example

```

/*****/
/*                                           */
/* Description: Example LIN Description      */
/* Project:      Lin20example              */
/* Network:      LIN_20                    */
/*                                           */
/* *****/

```

```

LIN_description_file;
LIN_protocol_version = "2.0";
LIN_language_version = "2.0";
LIN_speed = 19.2 kbps;

```

```

Nodes {
    master : CEM, 1.000 ms,    0.100 ms;
    Slaves: CPM, DIA;
}

```

```

Signals {
    Switch1CEM : 1, 0, CEM, CPM, DIA;
    Switch2CEM : 1, 0, CEM, CPM, DIA;
    Switch3CEM : 1, 0, CEM, CPM, DIA;
    Switch4CEM : 1, 0, CEM, CPM, DIA;
    Switch5CEM : 1, 0, CEM, CPM, DIA;
    Switch6CEM : 1, 0, CEM, CPM, DIA;
    Switch7CEM : 1, 0, CEM, CPM, DIA;
    Switch8CEM : 1, 0, CEM, CPM, DIA;
    Resistance : 15, 0, CPM, CEM;
    Switch1CPM : 1, 0, CPM, CEM;
    Switch2CPM : 1, 0, CPM, CEM;
    Switch3CPM : 1, 0, CPM, CEM;
    Switch4CPM : 1, 0, CPM, CEM;
    Switch5CPM : 1, 0, CPM, CEM;
    Switch6CPM : 1, 0, CPM, CEM;
    Switch7CPM : 1, 0, CPM, CEM;
    Switch8CPM : 1, 0, CPM, CEM;
    Switch1DIA : 1, 0, DIA, CEM;
    Switch2DIA : 1, 0, DIA, CEM;
    LeftIndicator : 1, 0, CEM, DIA;
    RightIndicator : 1, 0, CEM, DIA;
    Response_Error_CPM : 1, 0, CPM, CEM;
    Response_Error_DIA : 1, 0, DIA, CEM;
}

```

```

Diagnostic_signals {
    MasterReqB0:8,0;
    MasterReqB1:8,0;
    MasterReqB2:8,0;
    MasterReqB3:8,0;
    MasterReqB4:8,0;
    MasterReqB5:8,0;
    MasterReqB6:8,0;
    MasterReqB7:8,0;
    SlaveRespB0:8,0;
    SlaveRespB1:8,0;
    SlaveRespB2:8,0;
    SlaveRespB3:8,0;
}

```

```

    SlaveRespB4:8,0;
    SlaveRespB5:8,0;
    SlaveRespB6:8,0;
    SlaveRespB7:8,0;
}
dynamic_frames {52}
Frames {
    VL1_CEM_Frm1 : 48, CEM, 8    {
        Switch1CEM, 0;
        Switch2CEM, 8;
        Switch3CEM, 16;
        Switch4CEM, 24;
        Switch5CEM, 32;
        Switch6CEM, 40;
        Switch7CEM, 48;
        Switch8CEM, 56;
    }
    VL1_CEM_Frm2 : 5, CEM, 1    {
        LeftIndicator, 0;
        RightIndicator, 1;
    }
    VL1_CPM_Frm1 : 28, CPM, 2    {
        Resistance, 0;
        Response_Error_CPM, 15;
    }
    VL1_CPM_Frm2 : 50, CPM, 1    {
        Switch1CPM, 0;
        Switch2CPM, 1;
        Switch3CPM, 2;
        Switch4CPM, 3;
        Switch5CPM, 4;
        Switch6CPM, 5;
        Switch7CPM, 6;
        Switch8CPM, 7;
    }
    VL1_DIA_Frm1 : 0, DIA, 2    {
        Switch1DIA, 0;
        Switch2DIA, 8;
        Response_Error_DIA, 15;
    }
}

Sporadic_frames {
}
Event_triggered_frames {
}

Diagnostic_frames {
    MasterReq: 60    { //pub: Master
        MasterReqB0, 0;
        MasterReqB1, 8;
        MasterReqB2, 16;
        MasterReqB3, 24;
        MasterReqB4, 32;
        MasterReqB5, 40;
        MasterReqB6, 48;
        MasterReqB7, 56;
    }
}

```

```

    }
SlaveResp: 61 { //pub: any slave
  SlaveRespB0, 0;
  SlaveRespB1, 8;
  SlaveRespB2, 16;
  SlaveRespB3, 24;
  SlaveRespB4, 32;
  SlaveRespB5, 40;
  SlaveRespB6, 48;
  SlaveRespB7, 56;
}
}

Node_attributes{
  DIA {
    LIN_protocol = "2.0";
    configured_NAD = 0x02;
    product_id = 0x1234, 0x2346, 0x00;
    response_error = Response_Error_DIA;
    P2_min = 5.000 ms;
    ST_min = 3.000 ms;
    configurable_frames {
      VL1_CEM_Frm1 = 0x1001;
      VL1_DIA_Frm1 = 0x1002;
    }
  }
  CPM {
    LIN_protocol = "2.0";
    configured_NAD = 0x01;
    product_id = 0x1234, 0x2345, 0x00;
    response_error = Response_Error_CPM;
    P2_min = 5.000 ms;
    ST_min = 3.000 ms;
    configurable_frames {
      VL1_CEM_Frm1 = 0x1001;
      VL1_CPM_Frm1 = 0x1002;
      VL1_CPM_Frm2 = 0x1003;
    }
  }
}

Schedule_tables {
  VL1_Fr1_19200 {
    VL1_CEM_Frm1    delay    15.00 ms;
    VL1_DIA_Frm1   delay    10.00 ms;
    VL1_CPM_Frm1   delay    10.0 ms;
    VL1_CPM_Frm2   delay    10.0 ms;
  }
  Initialization {
    AssignFrameId{CPM, VL1_CEM_Frm1} delay 2500 ms;
    AssignFrameId{CPM, VL1_CPM_Frm1} delay 2500 ms;
    AssignFrameId{CPM, VL1_CPM_Frm2} delay 2500 ms;
    AssignFrameId{DIA, VL1_CEM_Frm1} delay 2500 ms;
    AssignFrameId{DIA, VL1_DIA_Frm1} delay 2500 ms;
  }
}
}

```


5.3 Example Project for Master (CEM)

5.3.1 Description

The master does the following:

1. Initialize the hardware and LIN core.
2. Configure the nodes in the network using the node configuration functions.
3. Initialize the Schedule to Schedule1.
4. Inside an infinite loop:
 - Check if Frame1 (VL1_CEM_Frm1) has completed. If yes, update the Frame1's buffer with the master's switch status. This new switch status will be transmitted to slave 1 when Frame1 is due the next time.
 - Check if Frame2 (VL1_CPM_Frm1) has completed. If yes, read the resistance information transmitted by slave 1 from Frame2's buffer and transmit this over the serial port.
 - Check if Frame3 (VL1_DIA_Frm1) has completed. If yes, update LED 5 and LED 6 with the switch status sent by slave 2.
 - Check if Frame4 (VL1_CPM_Frm2) has completed. If yes, update Frame5's buffer with the status of SW1 and SW2 of slave 1. When Frame5 (VL1_CPM_Frm2) is due, this information is sent to slave 2, which, in turn, controls the LEDs.

5.3.2 Example Master Program

```
void main()
{
BYTE i;
BYTE Temp;

// Enable resistive pullups for (DIP Switches)
PRT2DR = 0xFF;
// Switch off all the LEDs
PRT1DR = 0xFF;
// Update Frame1 buffer with the DIP switch status
UpdateFrame1();

// Start the Transmitter
Transmitter_Start(Transmitter_PARITY_NONE);

// Initialize LIN Master
l_ifc_init();

// Enable interrupts
M8C_EnableGInt;

// Configure the Nodes in the cluster
NodeConfiguration();

// Read node information from the nodes in the cluster
ReadNodeInformation();

// Set the Schedule to Schedule1
l_sch_set(Schedule1, 0);

// Infinite loop
while (1)
{
// Check if the Lin is ready for the next frame to be
// sent. If yes, then call the l_sch_tick function
// to initiate the next frame transfer
if (LinMaster_fIsLinReady())
{
```

```

    NextTask = l_sch_tick();
}

// Check if Frame1 has completed successfully
if(BufferFrame1[0] & bfLAST_TRANSACTION_OK)
{
    // Clear the bfLAST_TRANSACTION_OK flag
    BufferFrame1[0] &= ~bfLAST_TRANSACTION_OK;

    // Update the signals in Frame1
    UpdateFrame1();

    // Transmit the Master switch status on serial port
    Transmitter_CPutString("Master Switch Status : ");
    for(i=0; i<8; i++)
    {
        if(BufferFrame1[i+1] == 0)
            Transmitter_CPutString("OFF ");
        else
            Transmitter_CPutString("ON ");
    }
    Transmitter_PutCRLF();
}

// Check if Frame2 has completed successfully
if(BufferFrame2[0] & bfLAST_TRANSACTION_OK)
{
    // Clear the bfLAST_TRANSACTION_OK flag
    BufferFrame2[0] &= ~bfLAST_TRANSACTION_OK;

    // Read from the Buffer
    l_bytes_rd(Frame2, 1, 2, TempBuffer);

    // Update Resistance Value from the updated TempBuffer
    Resistance = (TempBuffer[1] << 8) | TempBuffer[0];

    // Convert the Resistance to String value.
    itoa(OutputString, Resistance, 10);

    // Send the Resistance value on the Serial Port
    Transmitter_CPutString("Slave-1 Resistance : ");
    Transmitter_PutString(OutputString);
    Transmitter_PutCRLF();
}

// Check if Frame3 has completed successfully
// This is the switch status from Slave 2. Update LED5 and LED6
// as per the Slave2 switch status
if(BufferFrame3[0] & bfLAST_TRANSACTION_OK)
{
    // Clear the bfLAST_TRANSACTION_OK flag
    BufferFrame3[0] &= ~bfLAST_TRANSACTION_OK;
    // Read the bytes from Frame3 to TempBuffer
    l_bytes_rd(Frame3, 1, 2, TempBuffer);

    // Transmit the Master switch status on serial port
    Transmitter_CPutString("Slave-2 Switch Status: ");
}

```

```

// If Bit 0 of second byte is 1, then switch On LED5
if(TempBuffer[1] & 0x01)
{
    PRT1DR &= ~0x08;
    Transmitter_CPutString("ON ");
}
// Else switch it off
else
{
    PRT1DR |= 0x08;
    Transmitter_CPutString("OFF ");
}

// If Bit 0 of first byte is 1, then switch On LED6
if(TempBuffer[0] & 0x01)
{
    PRT1DR &= ~0x04;
    Transmitter_CPutString("ON ");
}
// Else switch it off
else
{
    PRT1DR |= 0x04;
    Transmitter_CPutString("OFF ");
}

Transmitter_PutCRLF();
}

// Check if Frame4 has completed successfully
// This frame carries the switch status of Slave1. Update
// LEDs 1 to 4 with Bits 7,6,5,4 of the Slave1 switch Status
// Update the Indicator Status with Bits 0 and 1
if(BufferFrame4[0] & bfLAST_TRANSACTION_OK)
{
    // Clear the bfLAST_TRANSACTION_OK flag
    BufferFrame4[0] &= ~bfLAST_TRANSACTION_OK;

    // Read the data byte of Frame4 to TempBuffer
    l_bytes_rd(Frame4, 1, 1, TempBuffer);

    // Update LEDs 1 to 4
    PRT1DR |= 0xF0;
    PRT1DR &= (~TempBuffer[0] | 0x0F);

    // Update the Indicator switch status variable.
    // Mask off bits other than 0 and 1
    IndicatorStatus = TempBuffer[0] & 0x03;

    // Now update the Indicator status on the buffer
    // of Frame5. This new data will be sent when Frame5 is due.
    l_bytes_wr(Frame5, 1, 1, &IndicatorStatus);

    // Send the Slave1 switch status to Serial Port
    Transmitter_CPutString("Slave-1 Switch Status: ");
    Temp = 0x80;
    for(i=0; i<8; i++)
    {

```

```

        if(BufferFrame4[1] & Temp)
            Transmitter_CPutString("ON ");
        else
            Transmitter_CPutString("OFF ");
        Temp >>= 1;
    }
    Transmitter_PutCRLF();
    Transmitter_PutCRLF();
}
}

void UpdateFrame1(void)
{
    BYTE i;
    BYTE x;
    // Load up the 8 byte message with the status of DIP Switchs S2.
    // If the SW is in the "ON" position, the associated data byte
    // will be set to 1, else 0.
    x = PRT2DR;

    for(i=0; i < 8; i++)
    {
        // Loop through each DIP Switch
        TempBuffer[i]= 1;
        if((x & 0x80) == 0)
        {
            TempBuffer[i] = 0;
        }
        x = x << 1;
    }
    l_bytes_wr(Frame1, 1, 8, TempBuffer);
}

// This function configures both the nodes present in the cluster
void NodeConfiguration(void)
{
    BYTE bError;
    BYTE Retries;

    // Configure Message 0x1001 of CPM
    Retries = 0;
    do
    {
        bError = ConfigureNode(1, 0x1234, 0x1001, 0xF0);
        Retries++;
    }
    while((bError == 1) && (Retries < 2));

    // Configure Message 0x1002 of CPM
    Retries = 0;
    do
    {
        bError = ConfigureNode(1, 0x1234, 0x1002, 0x9C);
        Retries++;
    }
    while((bError == 1) && (Retries < 2));

    // Configure Message 0x1002 of CPM
    Retries = 0;

```

```
do
{
    bError = ConfigureNode(1, 0x1234, 0x1003, 0x32);
    Retries++;
}
while((bError == 1) && (Retries < 2));

// Configure Message 0x1001 of DIA
Retries = 0;
do
{
    bError = ConfigureNode(2, 0x1234, 0x1001, 0x80);
    Retries++;
}
while((bError == 1) && (Retries < 2));

// Configure Message 0x1002 of DIA
Retries = 0;
do
{
    bError = ConfigureNode(2, 0x1234, 0x1002, 0x85);
    Retries++;
}
while((bError == 1) && (Retries < 2));
}

// This function reads the Node information from the nodes in cluster
void ReadNodeInformation(void)
{
WORD CPMSupplierId;
WORD DIASupplierId;
WORD CPMFunctionId;
WORD DIAFunctionId;
BYTE CPMVariant;
BYTE DIAVariant;
long CPMSerialNo;
long DIASerialNo;
    // Read Node information from Slave CPM
    ReadByIdentifier0(1, 0x1234, 0x2345, &CPMSupplierId, &CPMFunctionId, &CPMVariant);
    // Read Serial Number of Slave CPM
    ReadByIdentifier1(1, 0x1234, 0x2345, &CPMSerialNo);

    // Read Node information from Slave DIA
    ReadByIdentifier0(2, 0x1234, 0x2346, &DIASupplierId, &DIAFunctionId, &DIAVariant);
    // Read Serial Number of Slave DIA
    ReadByIdentifier1(2, 0x1234, 0x2346, &DIASerialNo);
}
```

5.4 Example Project for Slave 1 (CPM)

5.4.1 Description

Following are the functions performed by slave 1:

1. Initialize the hardware resources for resistance measurement, DIP switches and the LIN core.
2. Clear the Response_Error bit.
3. Inside an infinite Loop:
 - Check if Frame1 (VL1_CEM_Frm1) has completed successfully. If yes, update LED 1 to LED 8 with the switch status sent by the master.
 - Measure the resistance function and update the buffer of Frame2 (VL1_CPM_Frm1) with resistance information and also update the Response_Error bit.
 - Frame3 (VL1_CPM_Frm2) has been configured as an event-triggered frame. If there has been any change in the SW1 and SW2 status, then update the buffer of Frame3. When the master initiates VL1_CPM_Frm2, the switch status is transmitted as response.
 - Check if the GOTO_SLEEP flag has been set. If yes, enter the low-power mode.

5.4.2 Example Slave 1 Program

```
void main()
{
  BYTE i;

  // Initialize NAD
  bLinNAD = 1;

  // Initialize the LIN Interface
  l_ifc_init();

  // Initialize ports
  PRT2DR = 0xFF; // Port2 reads the DIP switches
  PRT1DR = 0xFF; // Port1 drives the LEDs
  bLED = 0x00;

  // Initialize the status bytes of all the Frame buffers
  BufferFrame1[0] = 0;

  // BufferFrame2 carries the Response error bit. So set
  // a flag in the buffers status byte to indicate that this
  // frame carries the Response Error bit
  BufferFrame2[0] = 0 | bfRESPONSE_ERROR_BYTE;

  // Update the PreviousValue variable with PRT2DR status. Also
  // write this value to the Data byte of Frame3 and set the
  // DATA_READY flag so that data will be transmitted when this
  // frame occurs the first time
  PreviousValue = PRT2DR;
  BufferFrame3[1] = PRT2DR;
  BufferFrame3[0] = bfDATA_READY;

  // Switch On REFLO RefMux and enable REFHI at the testMux of ACB00
  ACB00CR2 &= 0xF3;
  ACB00CR2 |= 0x1C;

  // Start the REFLO mux
  REFLO_Start(REFLO_MEDPOWER);

  // Start the Input Buffer Amplifier
  Buffer_Start(Buffer_MEDPOWER);
}
```

```

// Start the ADC and Start Conversion
ADC_Start(ADC_MEDPOWER);
ADC_StartAD();

// Enable Global Interrupts
M8C_EnableGInt;

// Infinite loop
while(1)
{
    // Read the LIN status
    TransferStatus = (char)l_ifc_read_status();

    // Check if Frame1 has been successfully received. If yes,
    // update the LEDs with the data received.
    if (BufferFrame1[0] & bfLAST_TRANSACTION_OK)
    {
        // Clear the Last Transaction Ok flag
        BufferFrame1[0] &= ~bfLAST_TRANSACTION_OK;

        // Read the Frame1 buffer into TempBuffer
        l_bytes_rd(Frame1, 0, 9, TempBuffer);

        // Clear the Last Transaction OK Flag
        TempBuffer[0] &= ~bfLAST_TRANSACTION_OK;

        // Update Status Byte in Frame1 Buffer
        l_bytes_wr(Frame1, 0, 1, TempBuffer);

        // Now check the data bytes and set or clear the
        // corresponding bit in the bLED variable
        bLED = 0;
        for(i=0;i < 8 ; i++)
        {
            if(TempBuffer[i+1] == 0)
            {
                bLED = bLED | ((BYTE)0x01 << (7-i));
            }
            else
            {
                bLED = bLED & (~(0x01 << (7-i)));
            }
        }
        // Update Port 1 with LED data
        PRT1DR = bLED;
    }

    // Process Frame2. Call the CheckResistance function and update
    // the Frame2 buffer with the measured resistance
    Resistance = CheckResistance();
    TempBuffer[0] = (BYTE)Resistance;
    TempBuffer[1] = ((BYTE)(Resistance >> 8)) & 0x7F;

    // Update the Frame2 buffer with the prepared data
    l_bytes_wr(Frame2, 1, 2, TempBuffer);

    // Now check the bResponseError variable. If this variable is a non-zero
    // then set the Response Error bit in the 2nd data byte (MSB) of Frame2

```

```

        if(bResponseError) BufferFrame2[2] |= RESPONSE_ERROR_MASK;

// Process Frame3. This frame is an Event triggered one. So look if there
// has been any change in value on the switches connected to Port2. Only if
// there is a change, update the Frame3 buffer with the new value and also
// set the bfDATA_READY flag in the first byte of the buffer, so that next
// time the Master sends this frame, the slave will respond with the updated
// switch value
    if (PreviousValue != PRT2DR)
    {
        PreviousValue = PRT2DR;
        TempBuffer[1] = PRT2DR;
        TempBuffer[0] = bfDATA_READY;
        l_bytes_wr(Frame3, 0, 2, TempBuffer);
    }

/* Uncomment this section if Goto Sleep function is desired
// Check if the Goto Sleep Flag has been set. If set, call the GoToSleep Function
    if(TransferStatus & bfSTATUS_GOTO_SLEEP)
    {
        GoToSleep();
    }
*/
} // End of While loop
}

```

5.5 Example Project for Slave 2 (DIA)

5.5.1 Description

Following are the functions performed by slave 2:

1. Initialize the hardware resources for the indicator LEDs, DIP switches and the LIN core.
2. Clear the response error bit.
3. Inside an infinite Loop:
 - Update Frame1 (VL1_DIA_Frm1) buffer with the status of SW1 and SW2.
 - Check if Frame2 (VL1_CEM_Frm2) is complete. If yes, check the status of SW7 and SW8 of slave 1 sent in this frame and control the blinking LEDs accordingly.
 - Check if the GOTO_SLEEP flag has been set. If yes, enter the low-power mode.

5.5.2 Example Slave 2 Program

```

void main()
{
// Initialize LIN
    l_ifc_init();           // Init LIN Physical core
    bLinNAD = 2;           // Init the NAD

// Initialize Parameters
    PRT0DR = 0x24;         // Make Switch Inputs Pull Up
    PRT1DR = 0x00;         // Switch off LED1 and LED2
    IndicatorFlag = 0;     // Clear the Indicator flags

// Initialize Status bytes of all frames
// Clear the Response Error bit
    BufferFrame1[0] = 0 | bfRESPONSE_ERROR_BYTE;
    BufferFrame2[0] = 0;

    Indicator_Start();
}

```



```
// Enable Global Interrupts
M8C_EnableGInt;

// Infinite loop
// Inside the while Loop, following operations are performed.
// 1. l_ifc_read_status is called to check the status of the LIN core.
// 2. Frame1 data is updated with the Switch status
// 3. Frame2 status is checked to find if it has been updated. If yes,
//    then the received data is processed to control the indicator lamps.
// 4. The bfGOTO_SLEEP in the LIN status register is checked. If set,
//    the GoToSleep function is called
while(1)
{
    // Read LIN Core Status
    TransferStatus = (char)l_ifc_read_status();

    // Update the switch states in Frame1
    UpdateFrame1();

    // Check if Frame2 is updated
    if (BufferFrame2[0] & bfLAST_TRANSACTION_OK)
    {
        // Clear the Last Transaction OK flag
        BufferFrame2[0] &= ~bfLAST_TRANSACTION_OK;

        // Process the received data
        ProcessFrame2();
    }

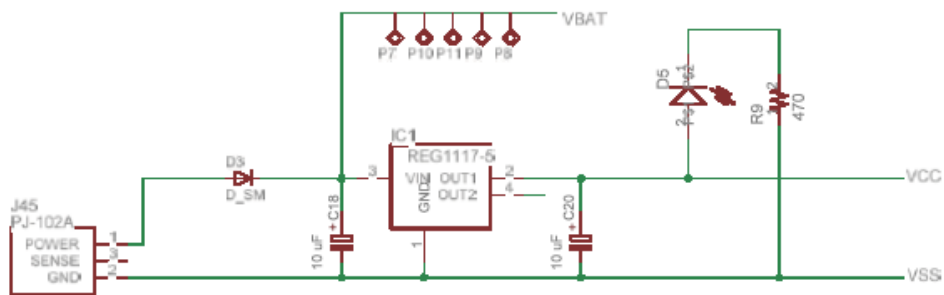
    /* Uncomment this to enable the Sleep operation
        // Check if Goto Sleep flag is set
        if (TransferStatus & bfSTATUS_GOTO_SLEEP)
        {
            GotoSleep();
        }
    */
} // End of While loop
}
```


6. Board Schematics

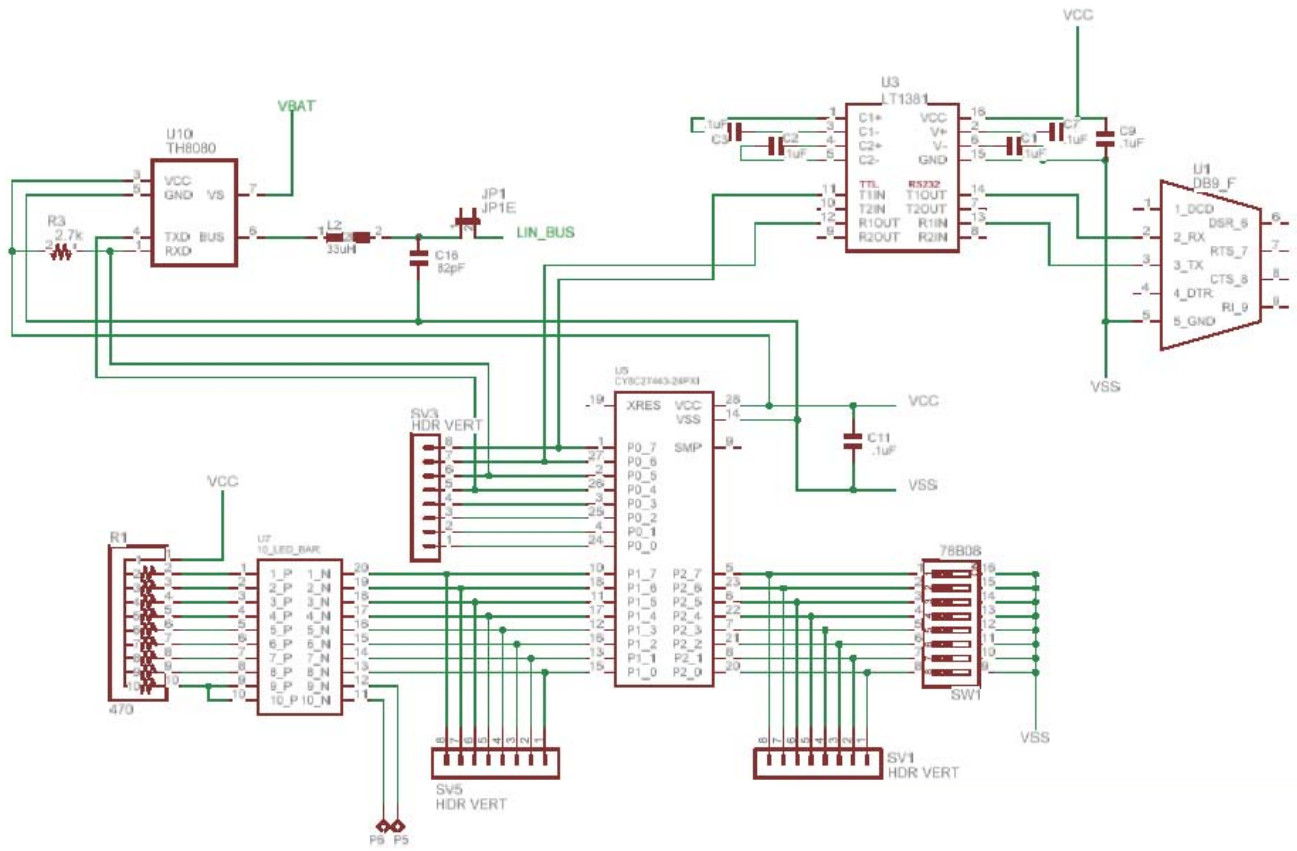


6.1 Schematics

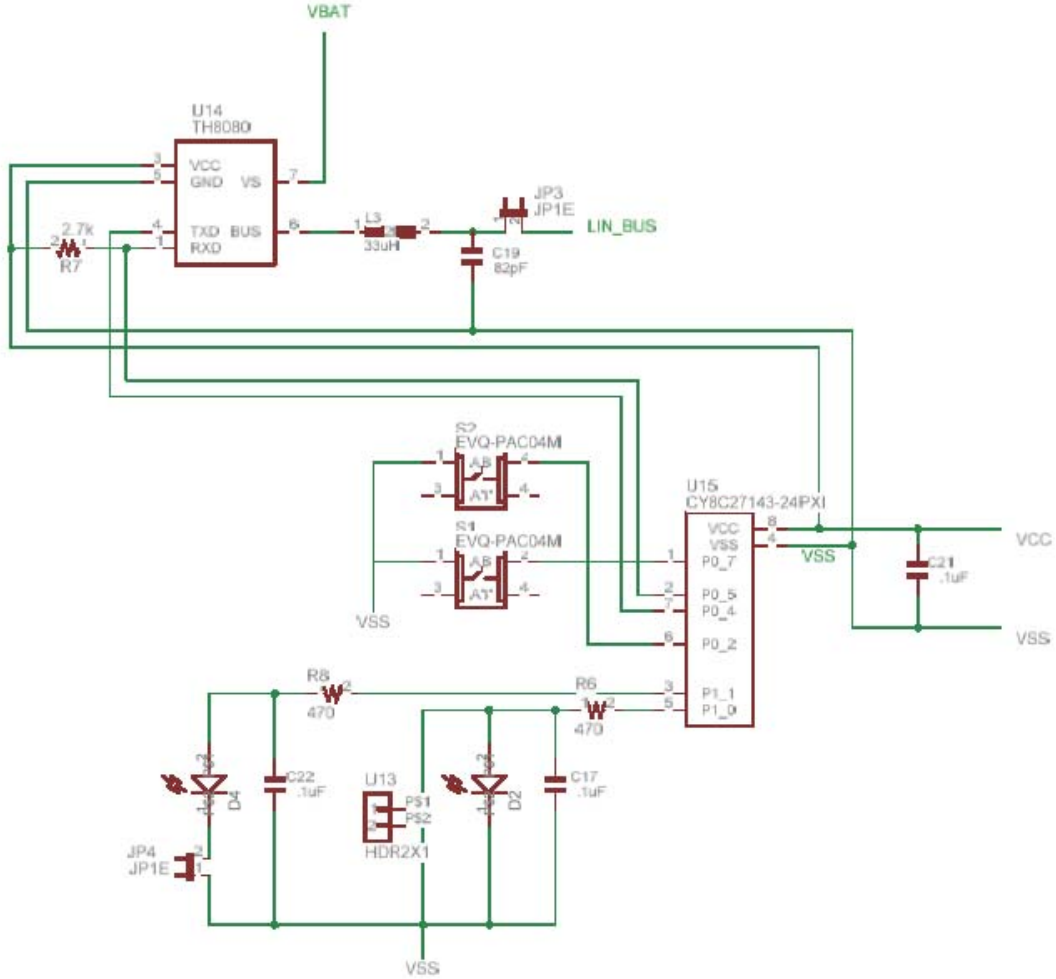
6.1.1 Power Supply



6.1.3 Slave 1



6.1.4 Slave 2



7. Board Bill of Materials



TITLE CY3220 LIN Bus RDK
 PCA # CY3220LINBUS-RD
 SCH # N/A
 DATE 4/20/2006

Revision D
 Revision

Item	Qty	Designator	Part Name	Manufacturer	Manufacture part #	Digikay Part #
1		PCB	LINBus RDK PCB revision D	Cypress	CY3220-LINBUS-RD	Cypress Direct
1	3	L1, L2, L3	33 uF 5M Inductor	Panasonic	ELJ-EA330KF	PCD1426CT-ND
2	2	U1, U2	DB9 female	AMP	5747644-4	A32117-ND
3	1	J45	2.1mm DC Power Jack	CUI	PJ-102A	CP-102A-ND
4	2	U3, U4	Dual RS232 transmitter/receiver	Linear Technology	LT1381CS#PBF	LT1381CS#PBF-ND
5	2	D1, D3	Schottky Diode	Panasonic	MA2YD2300L	MA2YD23CT-ND
6	2	S1, S2	Touch Switch	Panasonic	EVC-PAC04M	P8006S-ND
7	3	D2, D4, D6	Green rect LED	Lumex	SSL-LX2573GD	67-1048-ND
8	1	U15	8 DIP solder tail socket	Mil-Max	110-99-308.41-001000	ED90048-ND
9	2	U5, U6	28 DIP solder tail socket	Mil-Max	110-99-328.41-001000	ED90054-ND
10	1	U9	32kHz crystal	ECS	ECS-327-12.5-13X	X1124-ND
11	2	C18, C20	CAP TANT 10UF 25V 10% SM	Kemet	T491C106K025AT	399-3734-1-ND
12	3	C15, C16, C19	82 pF cap 0805	Panasonic	ECJ-2VC1H820J	PCC820CGCT-ND
13	1	C13	12 pF cap 0805	Panasonic	ECJ-2VC1H120J	PCC120CNCT-ND
14	1	C14	100 pF cap 0805	Panasonic	ECJ-2VC1H101J	PCC101CGCT-ND
15	1	R5	1k resistor 0803	Yageo	RC0603JR-071KL	311-1.0KGRCT-ND
16	2	R1, R2	9 resistor bussed SIP 470 ohm	Bourns	4610X-101-471-LF	
17	2	SW1, SW2	8 pcs DIP switch	Grayhill	78B08T	GH7193-ND
18	2	U12, U13	2x.1 header (36 pin header)	Molex	22-28-4360	WM6436-ND
19	6	SV1, SV2, SV3, SV4, SV5, SV6	8x.1 header (36 pin header)	Molex	22-28-4360	WM6436-ND
20	15	C1, C2, C3, C4, C5, C6, C7, C8, C9, C10, C11, C12, C17, C21, C22	.1 uF cap 0805	Panasonic	ECJ-2VF1H104Z	PCC1864CT-ND
21	3	R3, R4, R7	2.7k resistor 0803	Yageo	RC0603JR-072K7L	311-2.7KGRCT-ND
22	3	R6, R8, R9	470 resistor 0803	Yageo	RC0603JR-07470RL	311-470GRCT-ND
23	4	JP1, JP2, JP3, JP4	2x.1 header (36 pin header)	Molex	22-28-4360	WM6436-ND
24	1	IC1	5V LDO reg	Burr Brown	REG1117-5	REG1117-5-ND
25	3	U10, U11, U14	LIN bus transceiver	Melexis	TH8080	Melexis Direct
26	2	U7, U8	10 seg LED	Lumex Opto/Components In	SSA-LXB10W-GF/LP	67-1010-ND

Special Installation:

27	4	JP1, JP2, JP3, JP4	Shunt	3M	929950-00	929950-00-ND
28			CY3220LINBUS-RD Rev D	Label - Assembly number		
29	1	U15	CY8C27143-24PXI	Cypress	CY8C27143-24PXI	Cypress Direct
30	2	U5, U6	CY8C27443-24PXI	Cypress	CY8C27443-24PXI	Cypress Direct
31	1		12 VDC WallPS			

Do Not Install Components:

Additional assembly instructions:

- 1 RoHS compliant assembly. Use only non-lead solder.
- 2 Substitute only with RoHS compliant components.

